

Saniflo SFA GROUP

MACERATORS, GRINDERS, LIFT STATIONS,
DRAIN AND CONDENSATE PUMPS



A pump company since 1958 providing plumbing solutions
for residential and commercial applications

Saniflo offers a range of macerating and grinding pump systems that greatly reduce the size of fecal matter and waste. Larger diameter discharge lines are unnecessary; in fact, all that is needed is a 3/4" diameter discharge line.

The flexibility of Saniflo systems makes any sanitary application you can imagine possible. Saniflo offers the most reliable and cost-effective solutions

for any job, whether it's a small project requiring drain or condensate pumps to more complex engineered jobs, even whole buildings with multiple fixture units. You are no longer limited to locations where downhill drainage or gravity evacuates waste. You don't even need to be in close proximity to the main waste pipe.



ABOUT Saniflo












SFA SANIFLO – whose parent company originated macerating plumbing technology – offers a complete line of waste and drainage pumping systems for residential and commercial applications. Saniflo developed its innovative, “above-floor plumbing” technology more than a half-century ago and has led its commercialization worldwide. Today, the company markets macerating technology through 24 subsidiaries and 50 exclusive importers worldwide and has sold more than eight million units worldwide since 1958. Saniflo markets through independent sales agents throughout North America, and the product line is currently available at distributor and dealer locations throughout the United States, Canada and Mexico.

For more information, contact Saniflo at 1-800-571-8191 (US) or 1-800-363-5874 (CDN). Or visit the Saniflo website at saniflo.com (US) or saniflo.ca (CDN).



All products comply with North American standards under the ASME A112.3.4 Macerating Toilet Systems standard and CSA-C22.2 (UL778) Motor Operated Water Pumps standard. Toilet systems meet the EPA criteria for WaterSense high performance and water-efficient toilets.

INDEX

	Page 4-5	OPERATING PRINCIPLE OF SANIFLO SYSTEM																		
	Page 6	SANIFLO'S TOILET SYSTEMS																		
	Page 7	SIZING THE BEST PRODUCT																		
																				
		FULL BATHROOM																		
	Pages 8-9	SANIPLUS	✓	✓	✓	✓														
	Pages 10-11	SANIACCESS[®] 3	✓	✓	✓	✓														
	Pages 12-13	SANIPACK	✓	✓	✓															
	Pages 14-15	SANIBEST PRO	✓	✓	✓	✓	✓			✓										
	Pages 16-17	SANIGRIND PRO	✓	✓	✓	✓	✓	✓		✓										
	Pages 18-21	CASE STUDIES																		
		HALF-BATHROOM																		
	Pages 22-23	SANIACCESS[®] 2	✓	✓																
	Pages 24-25	SANICOMPACT	✓	✓																
	Pages 26-27	SANICOMPACT COMFORT	✓	✓																
	Pages 28-29	SANISTAR	✓	✓																
	Pages 30-31	CASE STUDIES																		
		DRAIN PUMPS																		
	Pages 32-33	SANICOM 1		✓	✓	✓	✓	✓	✓	✓	✓	✓								
	Pages 34-35	SANIVITE		✓	✓	✓	✓	✓	✓	✓	✓	✓								
	Pages 36-37	SANISWIFT		✓	✓			✓	✓	✓	✓	✓								
	Pages 38-39	SANISHOWER		✓	✓															
	Pages 40-43	CASE STUDIES																		
		CONDENSATE PUMPS																		
	Pages 44-45	SANICONDENS															✓	✓	✓	
	Pages 46-47	SANICONDENS BEST															✓	✓	✓	
	Pages 48-49	SANICONDENS BEST FLAT															✓	✓	✓	
	Page 50	SANI NEUTRAL															✓	✓	✓	
	Page 51	SANIACCESSORIES																		
		LIFT STATIONS																		
	Pages 52-53	SANICUBIC 1	✓	✓	✓	✓	✓	✓	✓	✓	✓	✓								
	Pages 54-55	SANICUBIC 2	✓	✓	✓	✓	✓	✓	✓	✓	✓	✓								
	Pages 56-57	SANICUBIC 1VX	✓	✓	✓	✓	✓	✓	✓	✓	✓	✓								
	Pages 58-59	SANICUBIC 2VX	✓	✓	✓	✓	✓	✓	✓	✓	✓	✓								
	Pages 60-65	CASE STUDIES																		
	Page 66	EXTERNAL UNITS																		
	Page 67	LIFT STATIONS																		
	Page 68	SELF-CONTAINED UNITS																		
	Page 69	DRAIN PUMPS																		
	Page 70	REASONS WHY NOT TO BREAK CONCRETE																		
	Page 71	SANIFLO'S ADVANTAGES																		

OPERATING PRINCIPLE OF THE SANIFLO SYSTEM

BEFORE



AFTER



For any technical questions, please call us toll-free at 800-571-8191 (US) / 800-363-5874 (CDN)

WHAT IS A MACERATOR?



SANIACCESS®3 SANIPLUS® SANIPACK®
 SANIACCESS®2 SANICOMPACT®
 SANICOMPACT COMFORT® SANISTAR®

To “macerate” is to soften and break in pieces. Our Saniflo macerating systems use a stainless steel rotating blade to **liquefy human waste and toilet paper**. When mixed with flushing water the waste is pumped into a sanitary sewer as a fine slurry.

WHAT IS A GRINDER?



SANIBEST®Pro SANIGRIND®Pro
 SANICUBIC®1 SANICUBIC®2

The grinder will accept accidental flushing of sanitary items such as **feminine hygiene products**. The heavy-duty stainless steel blade grinds up the waste particles (i.e. toilet use, shower, washing machine, etc.) and pumps it into a sanitary sewer as a fine slurry.

WHAT IS A VORTEX?

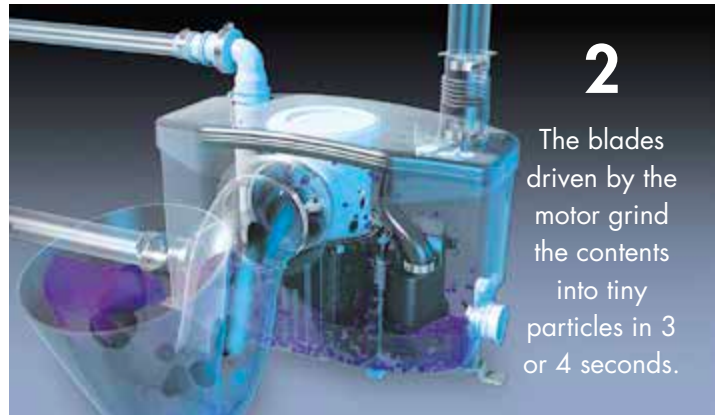


SANICUBIC 1 VX® SANICUBIC 2 VX®

A specially designed pump impeller that creates a whirlpool, or vortex action as the effluent enters the lift station enclosure. This technology keeps solids away from the impeller as it turns, pushing waste rapidly through the pump and to the discharge pipe. In doing so, the **possibility of clogging is substantially reduced**.



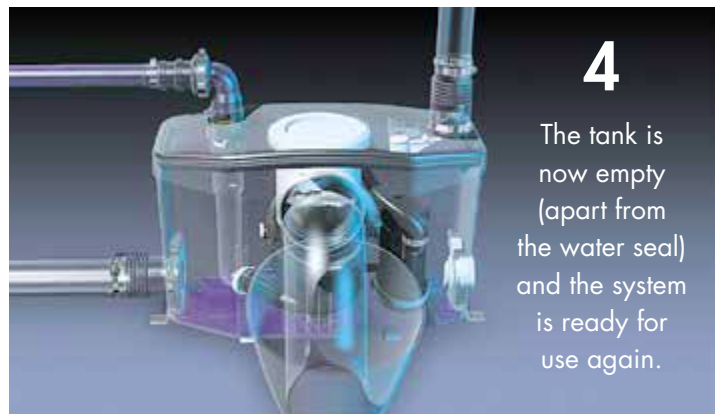
1
 When the toilet is flushed, the water level rises and the Saniflo grinder motor turns on automatically.



2
 The blades driven by the motor grind the contents into tiny particles in 3 or 4 seconds.



3
 The finely ground particles are pumped through a standard pipe just 3/4 or 1 inch in diameter.



4
 The tank is now empty (apart from the water seal) and the system is ready for use again.



Scan with your smart phone to watch a video clip of the Saniflo system operating principle.

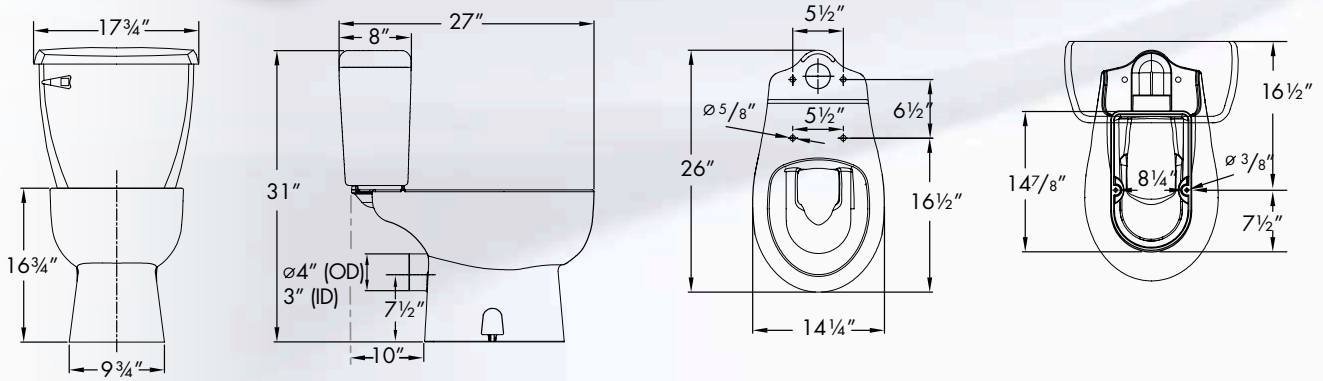
SANIFLO'S TOILET SYSTEMS

Saniflo's vitreous china toilets are designed to be durable with a high gloss finish for an easy-to-clean surface. These floor mounted, rear discharge toilets have the desired height to meet comfort and aesthetics to provide a unique style. Saniflo's high efficiency toilets use 1.28 gallons per flush (4.8 lpf) and are recognized by the EPA's water-saving WaterSense program. Complete toilet system comes with everything needed for installation **including a stylish soft-close toilet seat**.



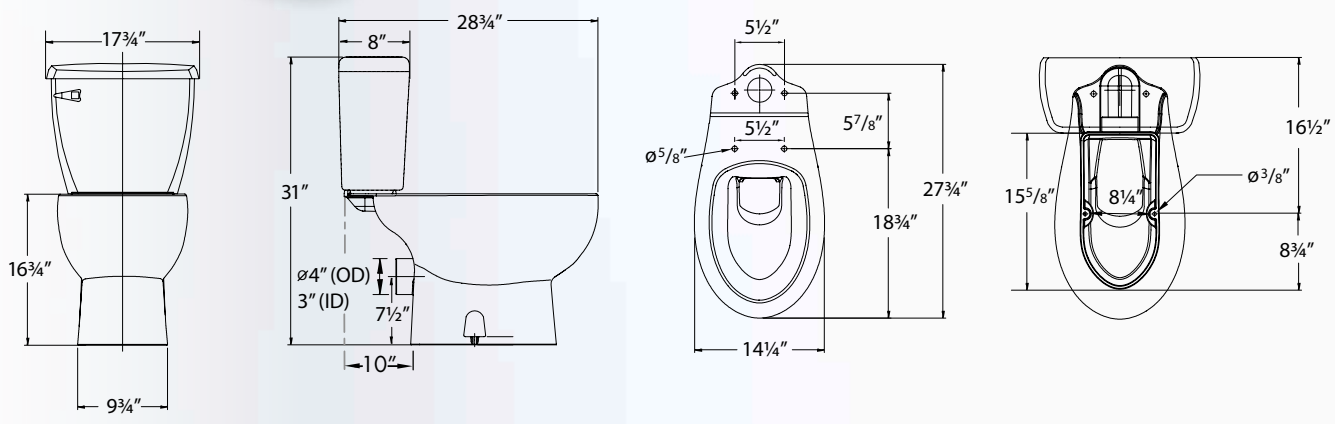
ROUND FRONT TOILET BOWL • Part No. 083 INSULATED TOILET TANK • Part No. 005 TECHNICAL SPECIFICATIONS

- Vitreous wash-down style bowl with integral p-trap which uses **1.28 GPF/4.8 LPF**.
- Rear-outlet white bowl with **16-3/4" seating height** for added comfort.
- **Insulated tank** to prevent condensation supplied with fill and flush valves.
- Bowl and tank come equipped with all the **necessary mounting hardware**.
- **Large 3" trapway** with water spot measuring 4-1/2" x 3-3/4".
- IAPMO Listed / EPA Watersense labeled / 1 year limited warranty.



ELONGATED FRONT TOILET BOWL • PART No. 087 INSULATED TOILET TANK • PART No. 005 TECHNICAL SPECIFICATIONS

- Vitreous wash-down style bowl with integral p-trap which uses **1.28 GPF/4.8 LPF**.
- Rear-outlet white bowl with 16-3/4" seating height is **ADA compliant**.
- **Insulated tank** to prevent condensation supplied with fill and flush valves.
- Bowl and tank come equipped with all the **necessary mounting hardware**.
- **Large 3" trapway** with water spot measuring 4-1/2" x 3-3/4".
- IAPMO Listed / EPA Watersense labeled / 1 year limited warranty.



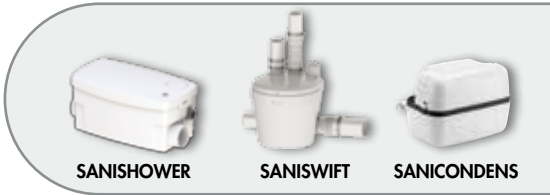
Saniflo offers several models for different applications and requirements. Choosing the best product that meets your needs is the first step towards completing your project. From residential to commercial applications for either gray or black water, Saniflo is with you every step of the way!



GRAY WATER

Water from sinks, showers, washing machines, HVAC appliances, etc.

RESIDENTIAL



COMMERCIAL



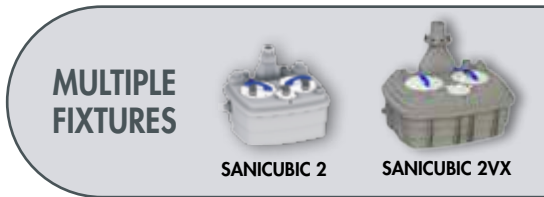
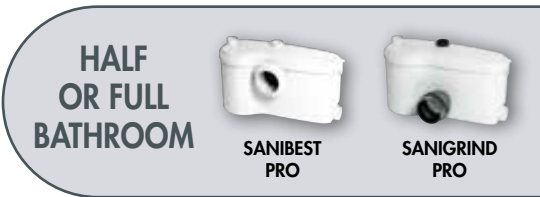
BLACK WATER

Wastewater containing human waste typically coming from toilets.

RESIDENTIAL



COMMERCIAL



HOW MANY GALLONS PER MINUTE DOES THE PUMP NEED TO EVACUATE?

Calculate the total gallons per minute (GPM) by adding the flow rate from each fixture being drained into the pump.

WHAT IS THE TOTAL HEAD THE PUMP NEEDS TO OVERCOME?

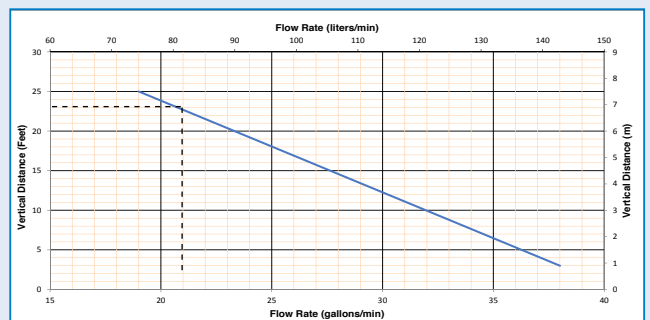
Calculate the total head by adding the vertical lift and friction losses throughout the discharge pipe including valves and elbows.

USING THE PUMP CURVE, VERIFY IF THE REQUIREMENTS ARE WITHIN THE PUMP CAPABILITIES

- Total flow rate
- Total Head = Vertical lift + Friction (head) losses

Let's do an example!

- We need to evacuate a complete bathroom in a commercial application which includes a toilet, a shower/bathtub and two sinks. **Total estimated flow rate: 12 GPM / 45 LPM.**
 - The system has to pump up 20 Ft vertical and 10 Ft across through a 3/4" diameter pipe without gravity slope. **Total estimated head loss = 23 Ft.**
- By reviewing the pump curve, the **Sanibest Pro** and **Sanigrind Pro** systems meet the requirements for this application.



SANIPLUS Macerator

CONNECTIONS



TOILET



SINK



SHOWER



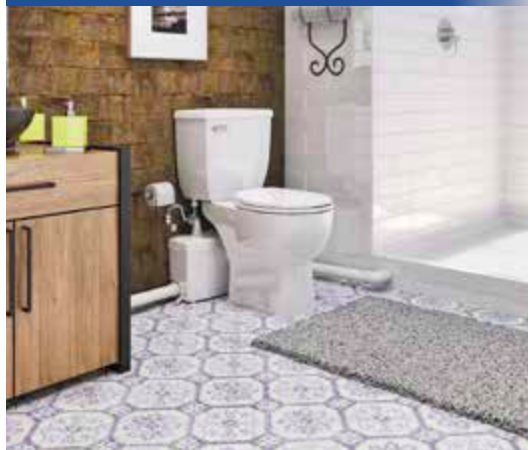
BATHTUB

APPLICATION



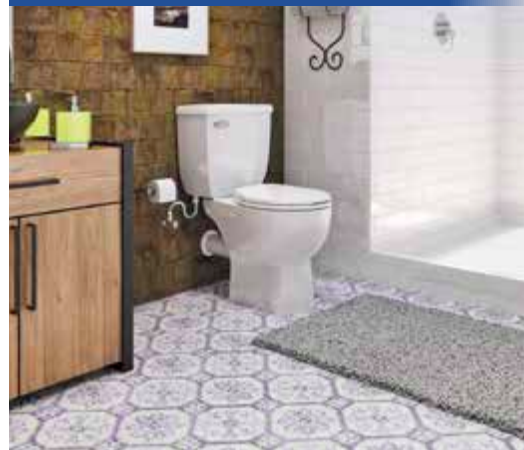
RESIDENTIAL

INSTALLATION BEHIND THE TOILET



Example of installation. Follow local plumbing codes for actual install.

INSTALLATION BEHIND THE WALL



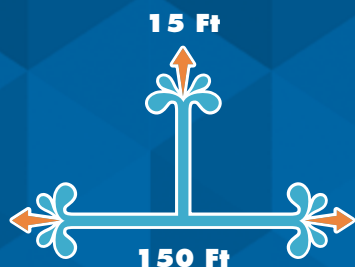
Example of installation. Follow local plumbing codes for actual install.

The **Saniplus** is a **1/2 HP pump system** used to install a complete bathroom up to **15 feet below the sewer line, or even up to 150 feet away** from a soil stack. It incorporates a **macerating system** which can handle human waste and toilet paper in residential applications. The blade is made out of a hardened stainless-steel material which **eliminates the need for any service or replacement**.

- **Discharges the waste through a 3/4" or 1" rigid pipe. A non-return valve is included** on the discharge elbow assembly provided with the system. This elbow can be rotated 360 degrees depending on the discharge installation.
- Has been designed with a **1-1/2" vent connection** on the top of the lid. All plumbing codes require connection to a vent system. Please note that the vent system should be a two-way air vent as air needs to freely flow both ways. Note: The use of mechanical vents, air admittance valves or similar devices is not permitted.
- Must be connected to **Saniflo's 1.28 GPF / 4.8 LPF rear discharge toilet**. These toilets come in round and elongated (ADA compliant) models. More technical information on page 6.
- Will also discharge gray water from any **sink, bath/shower or urinal**. The wastewater will drain into the system via **two 2" inlets with built-in check valves** on either side of the housing. Note that when adding a bathtub/shower, the base should be raised up by a minimum of 6" off the floor.



PUMPING DISTANCE



Toilet Tank

(Part N° 005)

Insulated 1.28 GPF / 4.8 LPF toilet tank equipped with all internal valves. For more information, please turn to page 6.

Round/Elongated Bowl

(Part N° 083 or 087)

Rear discharge toilet with 16-3/4" seating height (Elongated bowl is ADA compliant). For more information, please turn to page 6.

Extension Pipe

(Part N° 030)

18" long PVC pipe with internal gasket used to hide the pump behind the wall. For more information, please turn to page 51.

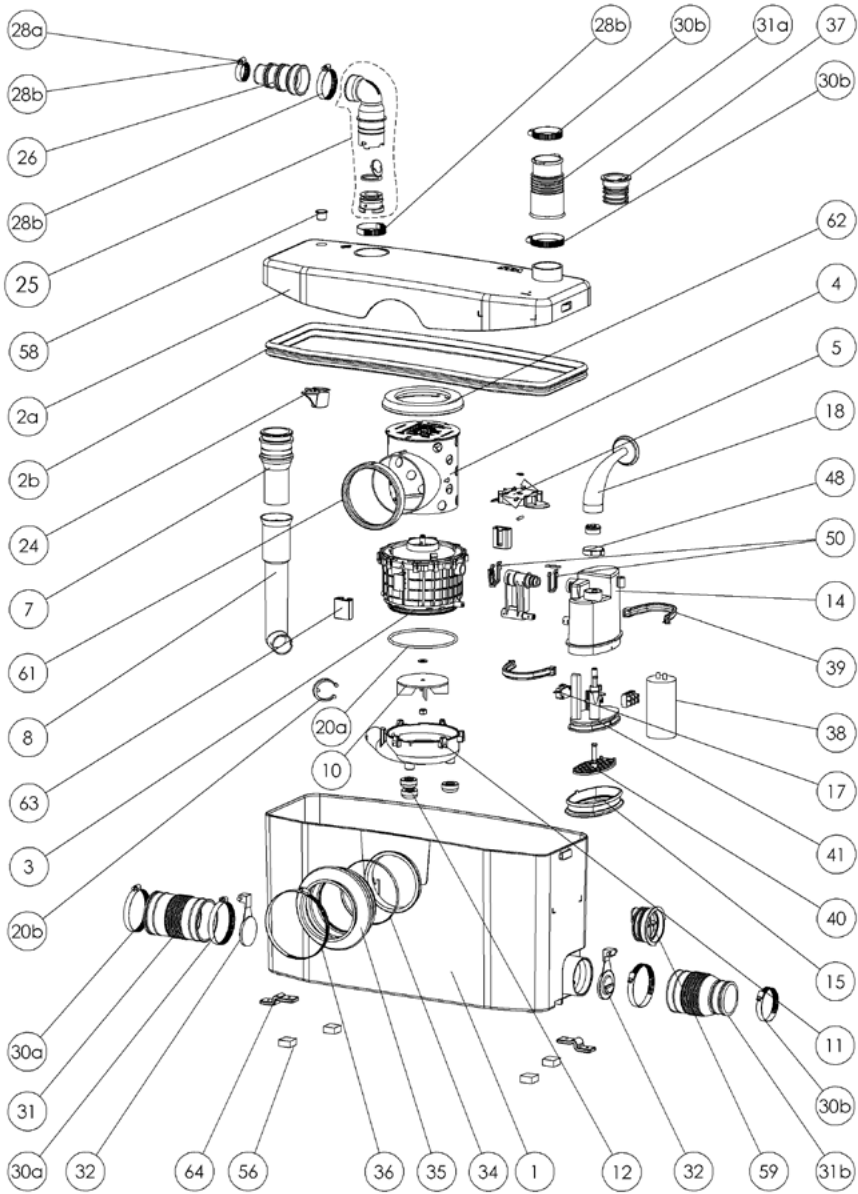
Saniplus

(Part N° 002)

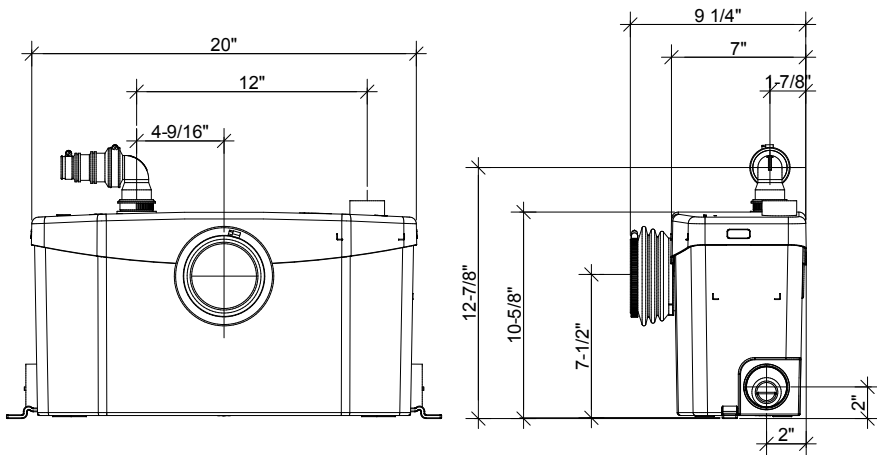
1/2 HP macerating pump for residential applications. Ideal for creating a complete bathroom in a basement, attic, garage, pool house, etc.



**PLEASE CALL US TOLL-FREE AT
800-571-8191 (US) / 800-363-5874 (CDN)
TO PURCHASE PARTS REFERENCED BELOW**



DIMENSIONAL DRAWINGS



**Choose any shower, bathtub or sink and enjoy
your dream bathroom.**

TECHNICAL SPECIFICATIONS

Pump type:

Macerator

Electrical:

120 V – 60 Hz / 4.5 Amps (Max)

Motor:

0.5 HP oil-filled thermally protected motor

Capacitor rating:

45 microfarad

Operating Temperature:

104°F (110°F Max.)

Power cord length:

47-1/2 inches

Noise level:

≤ 53 dBA (Lp) (measured at 3 ft.)

Discharge pipe diameter:

3/4" or 1"

Discharge rate at 15 ft:

17 GPM

Discharge rate at 3 ft:

27 GPM

Shut-off head:

30 ft.

Normal running time:

10-12s

Capacity:

3 gallons / 11.4 liters

Inlets:

2" (sides), 1-1/2" vent (top)

Method of activation:

Membrane/microswitch

Shower/bathtub base height:

6" min

Weight:

18 lbs / 8.2 kg

Certifying agencies:

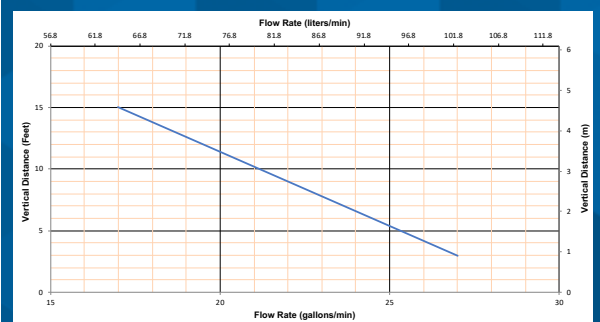
CSA (IPC, NSPC), IAPMO (UPC)

Recommended accessories:

Descaler, Sanialarm

Connections:

Rear outlet toilet, sink, shower/bathtub



CONNECTIONS



TOILET



SINK



SHOWER



BATHTUB

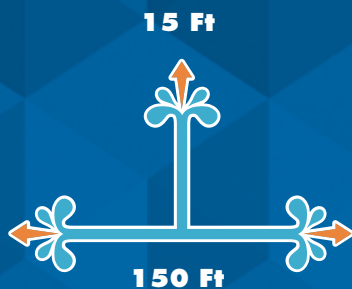
APPLICATION



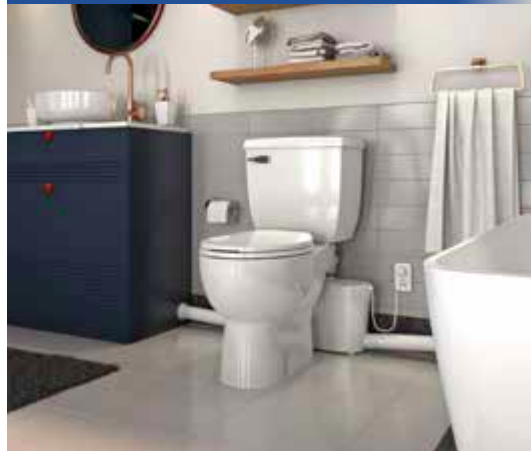
RESIDENTIAL



PUMPING DISTANCE



INSTALLATION BEHIND THE TOILET



Example of installation. Follow local plumbing codes for actual install.

INSTALLATION BEHIND THE WALL



Example of installation. Follow local plumbing codes for actual install.

The **Saniaccess3** is a **1/2 HP pump system** used to install a complete bathroom up to **15 feet below the sewer line, or even up to 150 feet away** from a soil stack. It incorporates a **macerating system** which can handle human waste and toilet paper in residential applications. The blade is made out of a hardened stainless steel material which **eliminates the need for any service or replacement**.

- **Discharges the waste through a 3/4" or 1" rigid pipe. A non-return valve is included** on the discharge elbow assembly provided with the system. This elbow can be rotated 360 degrees depending on the discharge installation.
- Has been designed with a **1-1/2" vent connection** on the top of the lid. All plumbing codes require connection to a vent system. Please note that the vent system should be a two-way air vent as air needs to freely flow both ways. Note: The use of mechanical vents, air admittance valves or similar devices is not permitted.
- Must be connected to **Saniflo's 1.28 GPF / 4.8 LPF rear discharge toilet**. These toilets come in round and elongated (ADA compliant) models. More technical information on page 6.
- Will also discharge gray water from any **sink, bath/shower or urinal**. The wastewater will drain into the system via **two 2" inlets with built-in check valves** on either side of the housing. Note that when adding a bathtub/shower, the base should be raised up by a minimum of 6" off the floor.
- Designed with **two easy access service panels** located on top of the pump. On one side of the pump you can easily access the **electrical components and the level sensor**. The other side allows access to the macerating blade for **easy removal of foreign objects**.



Toilet Tank

(Part N° 005)

Insulated 1.28 GPF / 4.8 LPF toilet tank equipped with all internal valves. For more information, please turn to page 6.

Round/Elongated Bowl

(Part N° 083 or 087)

Rear discharge toilet with 16-3/4" seating height (Elongated bowl is ADA compliant). For more information, please turn to page 6.

Extension Pipe

(Part N° 030)

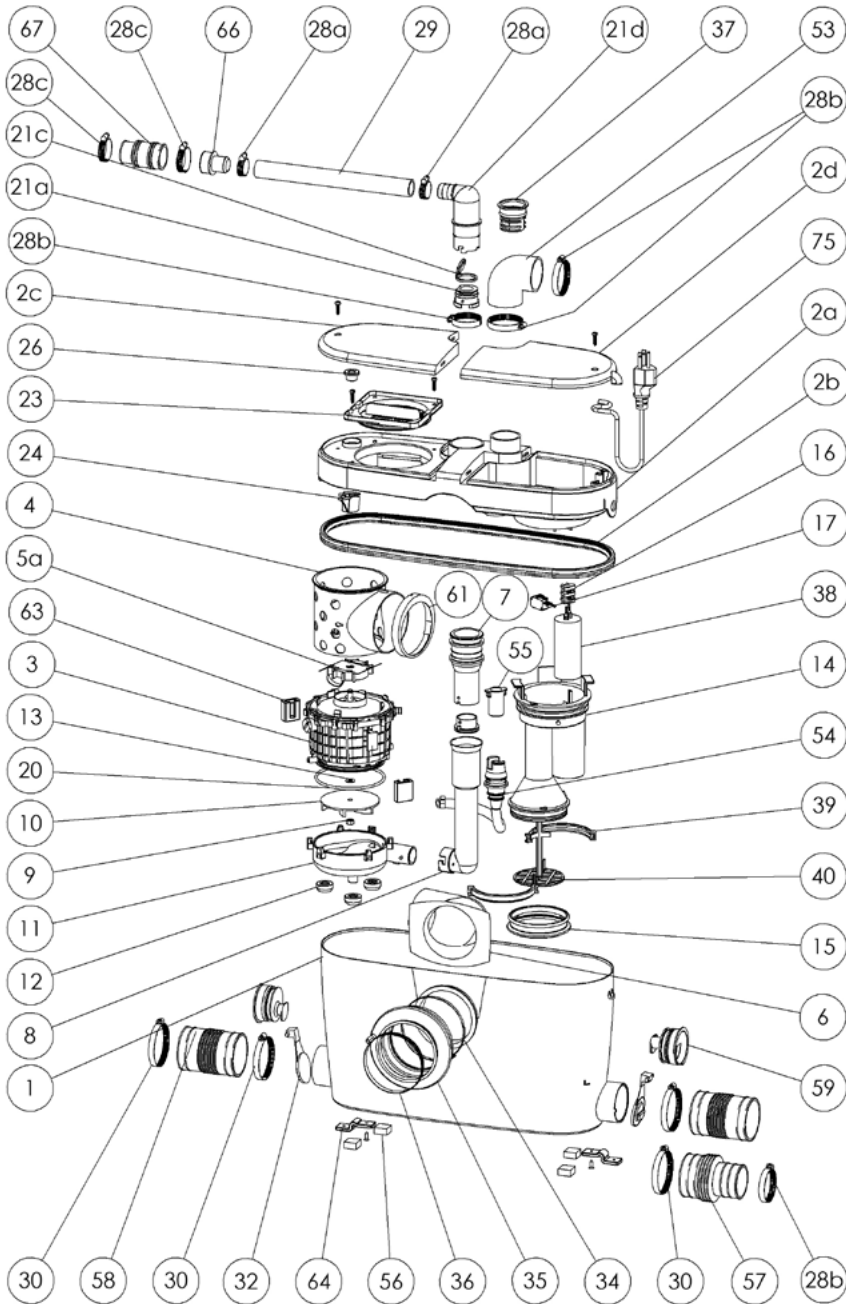
18" long PVC pipe with internal gasket used to hide the pump behind the wall. For more information, please turn to page 51.

SaniAccess 3

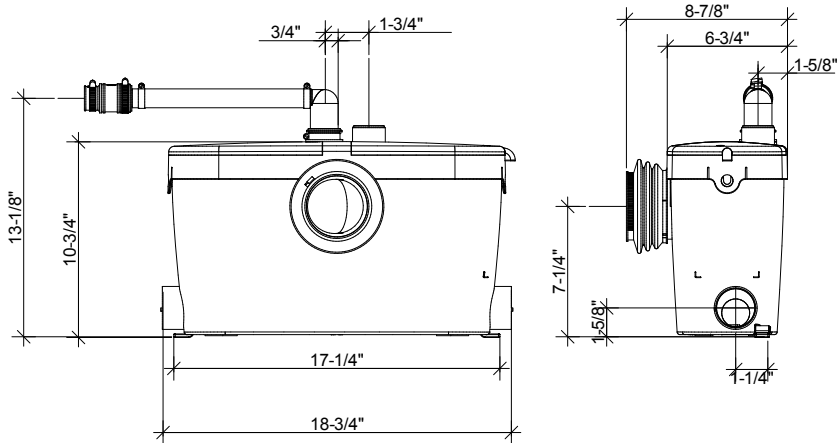
(Part N° 082)

1/2 HP macerating pump for residential applications. Dual service access panels for possible maintenance and service.

PLEASE CALL US TOLL-FREE AT
800-571-8191 (US) / 800-363-5874 (CDN)
 TO PURCHASE PARTS REFERENCED BELOW



DIMENSIONAL DRAWINGS



Choose any shower, bathtub or sink and enjoy your dream bathroom.

TECHNICAL SPECIFICATIONS

Pump type:

Macerator

Electrical:

120 V – 60 Hz / 4.5 Amps (Max)

Motor:

0.5 HP oil-filled thermally protected motor

Capacitor rating:

45 microfarad

Operating Temperature:

104°F (110°F Max.)

Power cord length:

51 inches

Noise level:

≤ 53 dBA (Lp) (measured at 3 ft.)

Discharge pipe diameter:

3/4" or 1"

Discharge rate at 15 ft:

17 GPM

Discharge rate at 3 ft:

27 GPM

Shut-off head:

30 ft.

Normal running time:

10-12s

Capacity:

3.1 gallons / 11.7 liters

Inlets:

2" (sides), 1-1/2" vent (top)

Method of activation:

Membrane/microswitch

Shower/bathtub base height:

6" min

Weight:

18 lbs / 8.2 kg.

Certifying agencies:

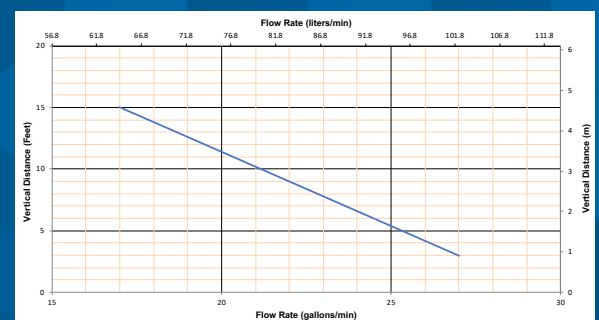
CSA (IPC, NSPC), IAPMO (UPC)

Recommended accessories:

Descaler

Connections:

Rear outlet toilet, sink, shower/bathtub



SANIPACK Macerator

CONNECTIONS



TOILET



SINK



SHOWER

APPLICATION



RESIDENTIAL

FULL VIEW OF COMPLETE BATHROOM



Example of installation. Follow local plumbing codes for actual install.

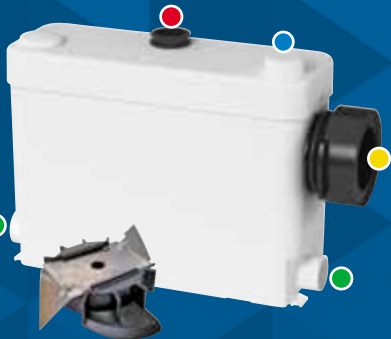
CLOSE-UP VIEW OF PRODUCT



Example of installation. Follow local plumbing codes for actual install.

The **Sanipack is a 1/2 HP pump system** used to install a complete bathroom up to **15 feet below the sewer line, or even up to 150 feet away** from a soil stack. It incorporates a **macerating system** which can handle human waste and toilet paper in residential applications. The blade is made out of a hardened stainless steel material **which eliminates the need for any service or replacement.**

- **Discharges the waste through a 3/4" or 1" rigid pipe. A non-return valve is included** on the discharge elbow assembly provided with the system. This elbow can be rotated 360 degrees depending on the discharge installation.
- Has been designed with a **1-1/2" vent connection** on the top of the lid. All plumbing codes require connection to a vent system. Please note that the vent system should be a two-way air vent as air needs to freely flow both ways. Note: The use of mechanical vents, air admittance valves or similar devices is not permitted.
- This pump is designed to be connected to **any wall-hung toilet** (not supplied by Saniflo). Note that there should be a minimum 1/4" per foot gravity fall on the waste pipe coming from the toilet into the pump.
- Will also discharge gray water from any **sink, shower or urinal**. The wastewater will drain into the system via **two 1-1/2" inlets with built-in check valves** on either side of the housing. Note that when adding a shower, the base should be raised up by a minimum of 6" off the floor.

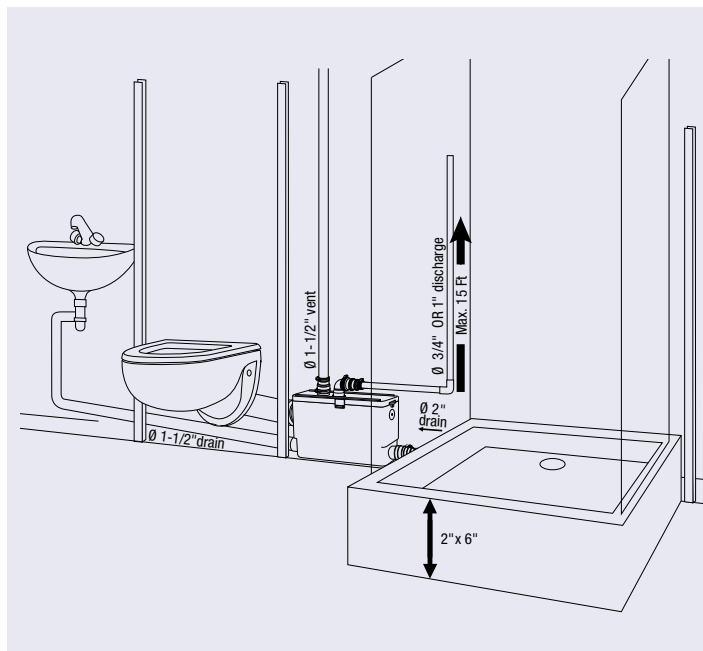


PUMPING DISTANCE

15 Ft



150 Ft



USE ANY WALL-HUNG TOILET TO COMPLETE YOUR BATHROOM INSTALLATION

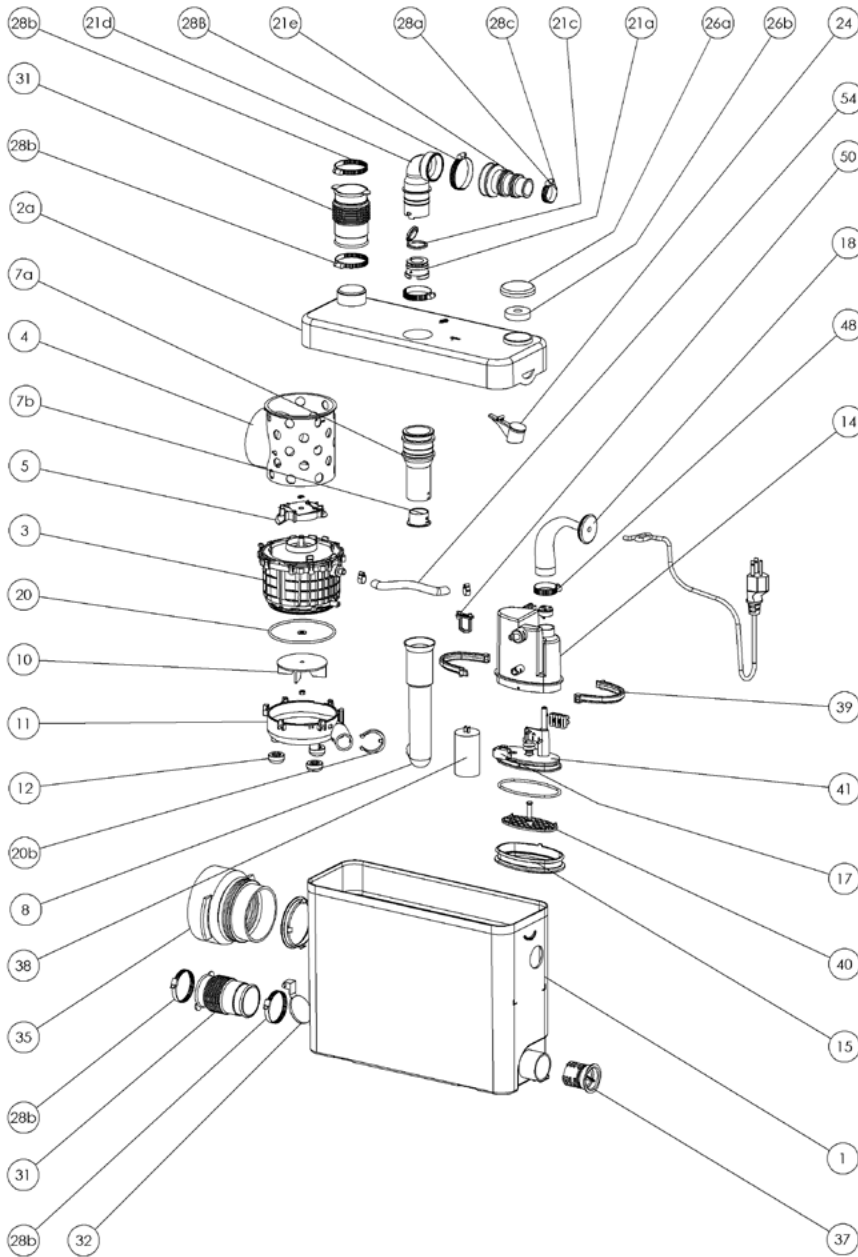
There are no limitations when it comes to designing your bathroom around the Sanipack (011) system as you can select **any wall-hung toilet of your choice.**

Mix and match your fixtures (shower, sink) from other brands to complete your installation.

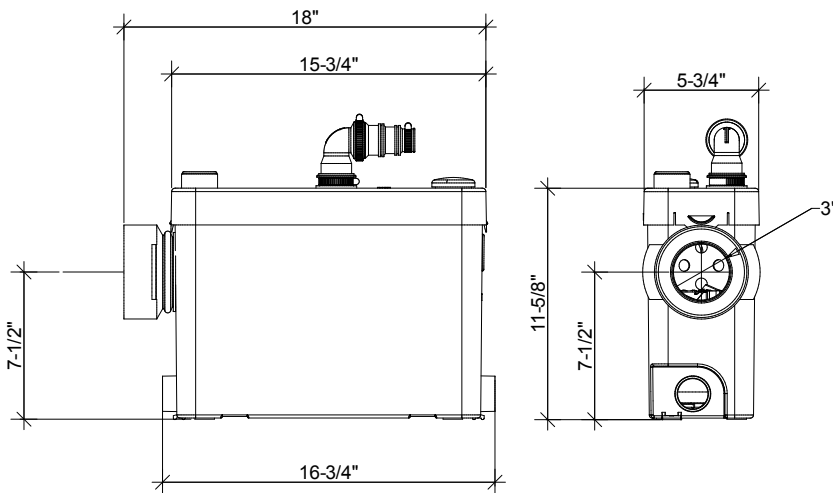
The macerating system is **easy to conceal as it can be installed behind or even in-between walls.** This type of installation gives you the clean look of a European bathroom.



**PLEASE CALL US TOLL-FREE AT
800-571-8191 (US) / 800-363-5874 (CDN)
TO PURCHASE PARTS REFERENCED BELOW**



DIMENSIONAL DRAWINGS



Choose any wall-hung toilet, shower or sink and enjoy your dream bathroom.

TECHNICAL SPECIFICATIONS

Pump type:

Macerator

Electrical:

110 V – 60 Hz / 4.5 Amps (Max)

Motor:

0.5 HP oil-filled thermally protected motor

Capacitor rating:

45 microfarad

Operating Temperature:

104°F (110°F Max.)

Power cord length:

48 inches

Noise level:

≤ 53 dBA (Lp) (measured at 3 ft.)

Discharge pipe diameter:

3/4" or 1"

Discharge rate at 15 ft:

17 GPM

Discharge rate at 3 ft:

27 GPM

Shut-off head:

30 ft.

Normal running time:

Depends on toilet system

Capacity:

3.5 gallons / 13.2 liters

Inlets:

1-1/2" (sides), 1-1/2" vent (top)

Method of activation:

Membrane/microswitch

Shower/bathtub base height:

6" min

Weight:

17 lbs / 7.7 kg

Certifying agencies:

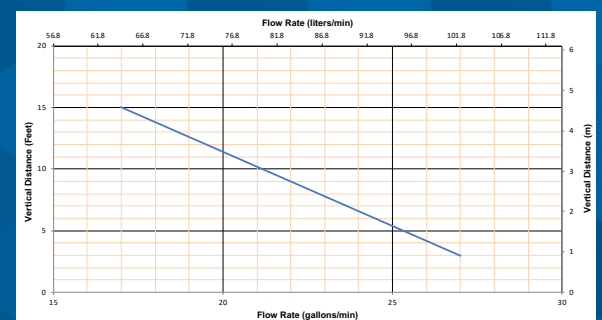
CSA (IPC, NSPC), IAPMO (UPC)

Recommended accessories:

Descaler, Sanialarm

Connections:

Wall hung toilet, sink, shower



SANIBEST® Pro Grinder

CONNECTIONS



TOILET



SINK



SHOWER



BATHTUB



LAUNDRY
SINK



WASHING
MACHINE

APPLICATIONS



RESIDENTIAL



COMMERCIAL



PUMPING DISTANCE

25 Ft



150 Ft



INSTALLATION BEHIND THE TOILET



Example of installation. Follow local plumbing codes for actual install.

INSTALLATION BEHIND THE WALL



Example of installation. Follow local plumbing codes for actual install.

The Sanibest Pro is a 1 HP pump system used to install a complete bathroom up to 25 feet below the sewer line, or even up to 150 feet away from a soil stack. It incorporates a grinder system which is ideal for uncontrolled environments in both residential and commercial applications (ie. rental unit, offices, warehouses, etc). The Sanibest Pro is designed to handle sanitary products that may have been flushed down the toilet; such may consist of condoms, sanitary napkins, q-tips, dental floss, etc.

- Discharges the waste through a 3/4" or 1" rigid pipe. A non-return valve is included on the discharge elbow assembly provided with the system. This elbow can be rotated 360 degrees depending on the discharge installation.
- Has been designed with a 1-1/2" vent connection on the top of the lid. All plumbing codes require connection to a vent system. Please note that the vent system should be a two-way air vent as air needs to freely flow both ways. Note: The use of mechanical vents, air admittance valves or similar devices is not permitted.
- Must be connected to Saniflo's 1.28 GPF / 4.8 LPF rear discharge toilet. These toilets come in round and elongated (ADA compliant) models. More technical information on page 6.
- Will also discharge gray water from any sink, bath/shower, urinal and even a washing machine (indirect connection). The wastewater will drain into the system via two 2" inlets with built-in check valves on either side of the housing. Note that when adding a bathtub/shower, the base should be raised up by a minimum of 8" off the floor.
- An easy access service panel is located on top of the pump. This will give you easy access to the electrical components such as the capacitor, microswitch, electronic board and membrane. For a full list of parts, please refer to the next page.



Toilet Tank

(Part N° 005)

Insulated 1.28 GPF / 4.8 LPF toilet tank equipped with all internal valves. For more information, please turn to page 6.

Round/Elongated Bowl

(Part N° 083 or 087)

Rear discharge toilet with 16 3/4" seating height (Elongated bowl is ADA compliant). For more information, please turn to page 6.

Extension Pipe

(Part N° 030)

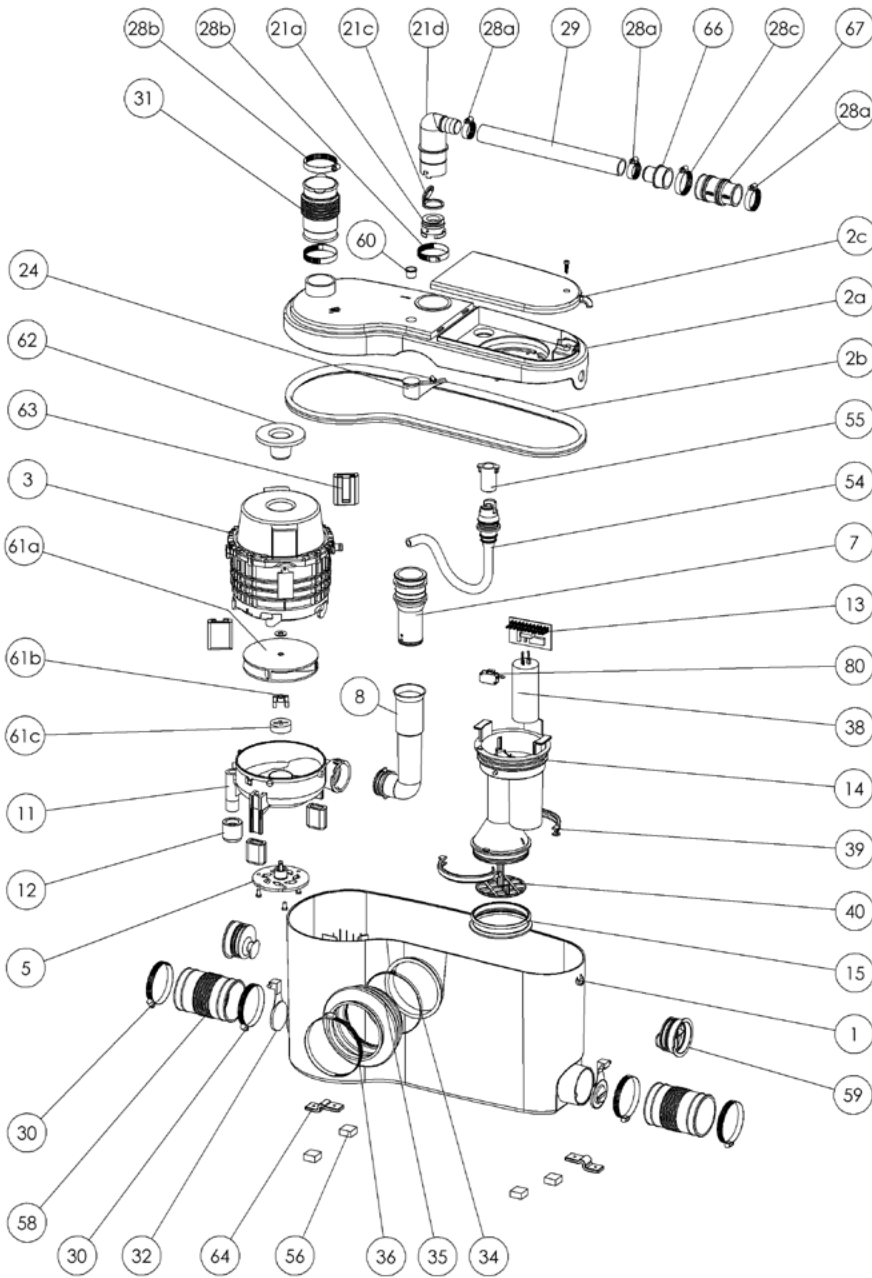
18" long PVC pipe with internal gasket used to hide the pump behind the wall. For more information, please turn to page 51.

Sanibest Pro

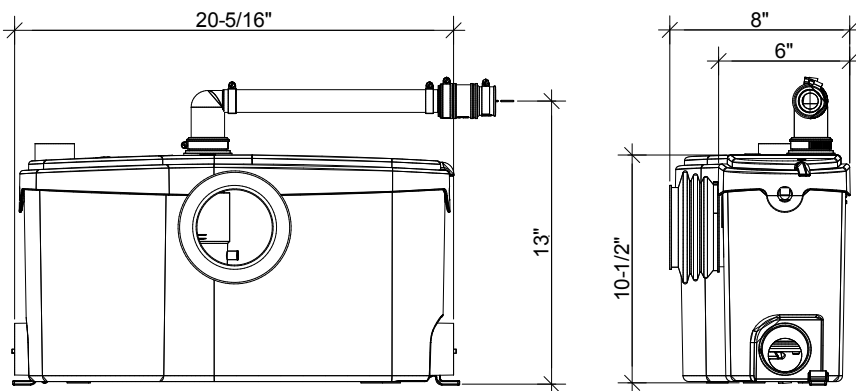
(Part N° 013)

1 HP grinder pump for commercial applications that is able to handle the accidental flushing of sanitary napkins from full bathroom applications.

**PLEASE CALL US TOLL-FREE AT
800-571-8191 (US) / 800-363-5874 (CDN)
TO PURCHASE PARTS REFERENCED BELOW**



DIMENSIONAL DRAWINGS



Choose any shower, bathtub or sink and enjoy your dream bathroom.

TECHNICAL SPECIFICATIONS

Pump type:

Grinder

Electrical:

120 V – 60 Hz / 9 Amps (Max)

Motor:

1 HP oil-filled thermally protected motor

Capacitor rating:

60 microfarad

Operating Temperature:

104°F (110°F Max.)

Power cord length:

49 inches

Noise level:

≤ 63 dBA (Lp) (measured at 3 ft.)

Discharge pipe diameter:

3/4" or 1"

Discharge rate at 25 ft:

19 GPM

Discharge rate at 3 ft:

38 GPM

Shut-off head:

38 ft.

Normal running time:

10-12 seconds

Capacity:

3.2 gallons / 12.1 liters

Inlets:

2" (side), 1-1/2" vent (top)

Method of activation:

Membrane/microswitch

Shower/bathtub base height:

8" min

Weight:

28 lbs / 12.7 kg

Certifying agencies:

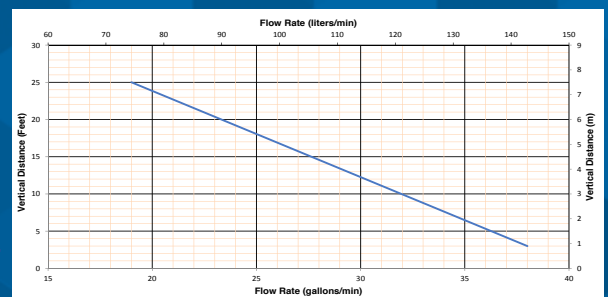
CSA (IPC, NSPC), IAPMO (UPC)

Recommended accessories:

Descaler, Sanialarm

Connections:

Rear outlet toilet, sink, shower/bathtub, washing machine (indirect connection via laundry sink)



SANIGRIND® Pro Grinder

CONNECTIONS



TOILET



SINK



SHOWER



BATHTUB



LAUNDRY SINK



WASHING MACHINE

APPLICATIONS



RESIDENTIAL COMMERCIAL

FULL VIEW OF COMPLETE BATHROOM



CLOSE-UP VIEW OF PRODUCT



Example of installation. Follow local plumbing codes for actual install.

The **Sanigrind Pro** is a **1 HP pump system** used to install a complete bathroom up to **25 feet below the sewer line**, or even up to 150 feet away from a soil stack.

It incorporates a grinder system which is ideal for uncontrolled environments in both residential and commercial applications (ie. rental unit, offices, warehouses, etc).

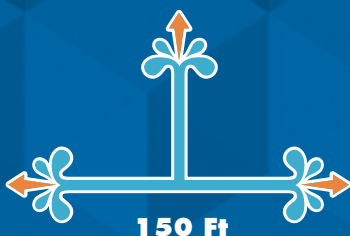
The **Sanigrind Pro** is designed to handle sanitary products that may have been flushed down the toilet; such may consist of condoms, sanitary napkins, q-tips, dental floss, etc.

- Discharges the waste through a 3/4" or 1" rigid pipe. A non-return valve is included on the discharge elbow assembly provided with the system. This elbow can be rotated 360 degrees depending on the discharge installation.
- Has been designed with a 1-1/2" vent connection on the top of the lid. All plumbing codes require connection to a vent system. Please note that the vent system should be a two-way air vent as air needs to freely flow both ways. Note: The use of mechanical vents, air admittance valves or similar devices is not permitted.
- This pump is designed to be connected to any conventional toilet with a bottom outlet (not supplied by Saniflo). Note that there should be a minimum 1/4" per foot gravity fall on the waste pipe coming from the toilet into the pump.
- Will also discharge gray water from any sink, bath/shower, urinal and even a washing machine (indirect connection). The wastewater will drain into the system via two 2" inlets with built-in check valves on either side of the housing. Note that when adding a bathtub/shower, the base should be raised up by a minimum of 8" off the floor.
- An easy access service panel is located on top of the pump. This will give you easy access to the electrical components such as the capacitor, microswitch, electronic board and membrane. For a full list of parts, please refer to the next page.

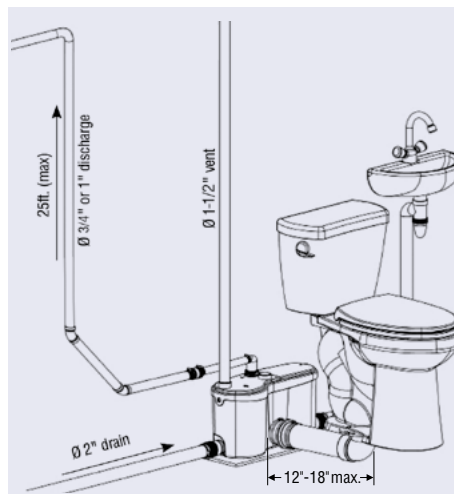


PUMPING DISTANCE

25 Ft



150 Ft



USE ANY CONVENTIONAL TOILET TO COMPLETE YOUR BATHROOM INSTALLATION

There are no limitations when it comes to designing your bathroom around the Sanigrind Pro (014) system as you can select any conventional toilet of your choice.

Mix and match your fixtures (shower, bathtub, sink) from other brands to complete your installation.

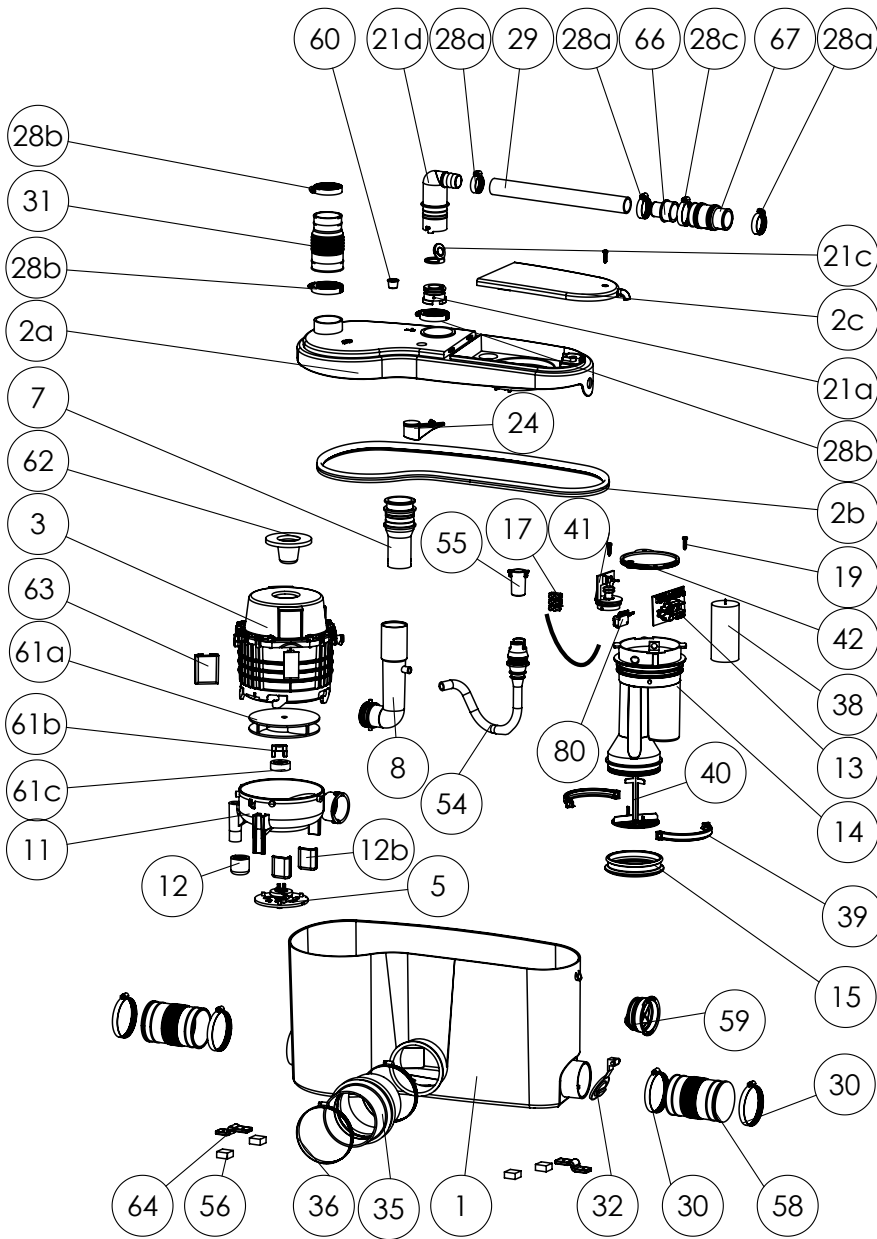
The unit can either be installed on top of the floor while the rest of the fixtures are installed on a raised platform or you can lower the pump eliminating the need to create a subfloor.



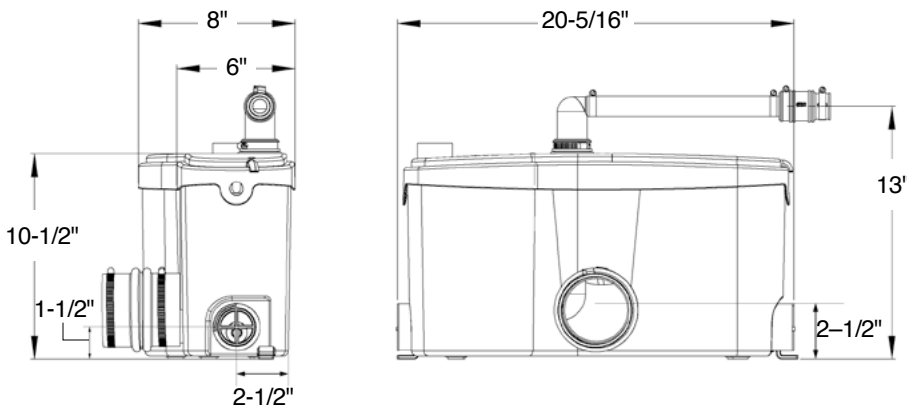
SANIGRIND PRO • PART N° 014



**PLEASE CALL US TOLL-FREE AT
800-571-8191 (US) / 800-363-5874 (CDN)
TO PURCHASE PARTS REFERENCED BELOW**



DIMENSIONAL DRAWINGS



**Choose any conventional toilet, shower, bathtub or sink
and enjoy your dream bathroom.**

TECHNICAL SPECIFICATIONS

Pump type:

Grinder

Electrical:

120 V – 60 Hz /9 Amps (Max)

Motor:

1 HP oil-filled thermally protected motor

Capacitor rating:

60 microfarad

Operating Temperature:

104°F (110°F Max.)

Power cord length:

49 inches

Noise level:

≤ 63 dBA (Lp) (measured at 3 ft.)

Discharge pipe diameter:

3/4" or 1"

Discharge rate at 25 ft:

19 GPM

Discharge rate at 3 ft:

38 GPM

Shut-off head:

38 ft.

Normal running time:

Depends on toilet system

Capacity:

3.2 gallons / 12.1 liters

Inlets:

2" (sides), 1-1/2" vent (top)

Method of activation:

Membrane/microswitch

Shower/bathtub base height:

8" min

Weight:

30 lbs / 13.6 kg

Certifying agencies:

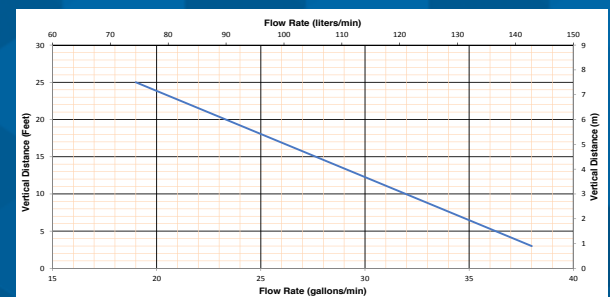
CSA (IPC, NSPC), IAPMO (UPC)

Recommended accessories:

Descaler, Sanialarm

Connections:

Bottom outlet toilet, sink, shower/bathtub,
washing machine (indirect connection via laundry sink)



Plumbing contractor added a complete bathroom using a Saniaccess3 macerator.



CHALLENGE

- 1 Owner of a plumbing, heating and air-conditioning business in NY wanted to add a bathroom in his home without great expense.
- 2 He required a system that will be very quiet since the new addition will be very close to a bedroom.

SOLUTION

- 1 The Saniaccess3 was installed for the new addition saving the owner close to \$2,000 and more than a day's worth of labor.
- 2 Homeowner was very satisfied since the 1/2 HP macerator was very quiet when in operation.



Plumbing contractor adjusts his Saniaccess3 macerator from Saniflo.

Plumbing Contractor installed the Saniaccess3 macerator from Saniflo behind the wall in his new bathroom.

Plumbing contractor recently made the decision to install an above-floor plumbing system from Saniflo in his log cabin's basement.



The Saniaccess3 macerator from Saniflo comes equipped with two easy-to-open panels atop the unit, providing ready access to the internal components for servicing.



The Saniaccess3 macerator from Saniflo can discharge waste up to 15 vertical feet and 150 horizontal feet.

SFA Saniflo is the key solution for wastewater management in mining camps.



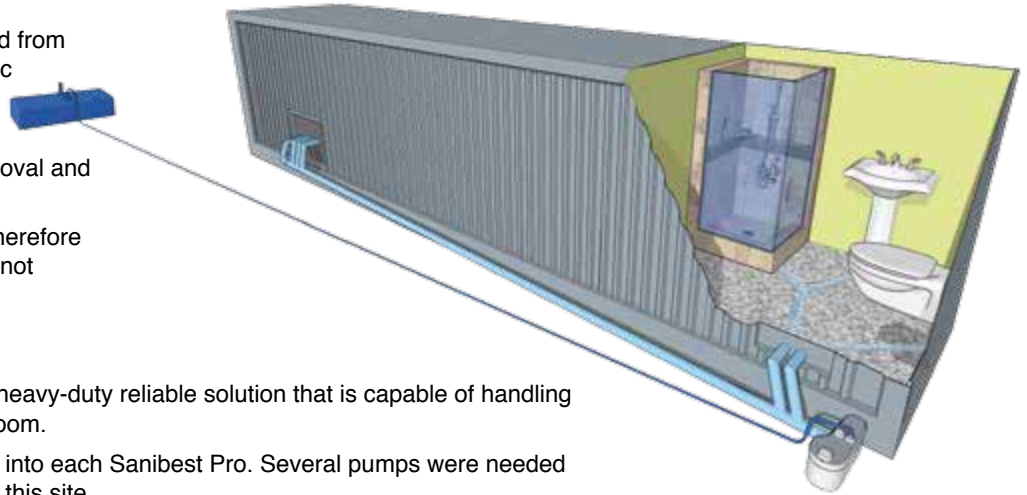
Sanibest Pro grinders are used to pump wastewater away to holding tanks without breaking the ground. These 1 HP units are used in commercial applications or in tough environments as they are designed to handle sanitary napkins.

CHALLENGE

- 1 Modular living containers are the only solution for remote temporary mining camps.
- 2 The wastewater needs to be evacuated from each container in a proper and hygienic manner.
- 3 Wastewater needs to travel over 100 feet into a larger tank for later removal and disposal.
- 4 The ground cannot be disturbed and therefore gravity or sewage pit evacuation were not feasible options.

SOLUTION

- 1 Sanibest Pro grinders were offered. A heavy-duty reliable solution that is capable of handling several fixtures from a complete bathroom.
- 2 Fixtures from a single container drains into each Sanibest Pro. Several pumps were needed for all the containers that were used at this site.
- 3 The powerful Sanibest Pro pumped the shredded waste more than 100 feet horizontally into a larger tank.



Maintenance kept to a minimum with Sanibest Pro 1-HP grinders



Fixtures from a complete bathroom are drained into the Sanibest Pro



Sanibest Pro units pump the shredded waste over 100 feet horizontal

SANIBEST PRO TRAILERS

SFA Saniflo provides smart solutions in a modular application where traditional gravity drainage is impossible.



Specialty mobile trailer is equipped with three private baths, each offering a shower, sink and toilet. ADA-compliant chamber uses Sanibest Pro heavy-duty grinder system from Saniflo to pump away black and grey water from the three fixtures.

CHALLENGE

- 1 Due to the ramp for wheelchair accessibility, the toilet and the shower sit at a lower level than the storage tank. As a consequence, the waste needs to be pumped upward to the storage tank.
- 2 A product with a quick installation time as well as being affordable for this non-profit organization.
- 3 Finding a system capable of handling the three showers, three sinks and three toilets as well as capable of handling sanitary napkins.

SOLUTION

- 1 Capable of pumping black and gray water from the multiple fixtures, up to 25 Ft vertically and/or 150 Ft, to the storage tank.
- 2 Handles wastewater, including sanitary products, such as condoms, sanitary napkins, q-tips, dental floss, etc. accidentally flushed down into the system.
- 3 The installation of the Sanibest Pro not only saved money but also time. The installation was done in one day compared to the estimated 10 days.



Inside the Revive + Refresh trailer's handicap-accessible bathroom, showing the Saniflo Sanibest Pro grinder system.



The ADA-compliant bathroom is located at one end of the trailer, shown here with its wheelchair-accessible ramp down.

Saniflo donated two Sanibest Pro units to the humanitarian project, which were distributed by a major wholesaler.

With a viable plumbing system installed, the Showering Love bus provides showers and other services to the homeless. With the current setup, the bus can handle up to 40 showers before the tank reaches capacity. This prototype becomes a launching pad to create a fleet of buses eventually, meeting not only homeless individual's showering needs, but also providing them with laundry services, shoe donations and other essentials that will help in the job hunt.



SFA Saniflo
showers love on homeless



The Showering Love Bus will be driven to various locations, especially churches, throughout Florida to provide showers and other services to the homeless.

CHALLENGE

- 1 Having the trailer be self-sufficient from a plumbing standpoint.
- 2 Moving the water and waste from the bathrooms, across the bus, to the storage tank
- 3 Penetrating the bus floor wasn't practical, due to limited space. We needed a smarter solution

SOLUTION

- 1 The Sanibest Pro is a heavy-duty grinder. The pump simply works by being plugged into the electrical outlets in the trailer.
- 2 Capable of handling anything the clientele may accidentally flush, such as feminine products, baby wipes, dental floss, condoms, etc.
- 3 The pump discharges waste upward eliminating the need to penetrate the floor. The pump can discharge the waste up to 25 vertical feet and/or 150 horizontal feet to the storage tank.

Saniflo's above-floor plumbing systems grind the waste into a slurry before pumping it horizontally and/or vertically through a small diameter drain line into a septic or sewer system — or, in this case, a storage tank.



The Sanibest Pro's installation on the Love bus.



Plumbing contractor Rowdy Gifford installs the Sanibest Pro grinding pump from Saniflo inside the Showering Love Bus.

CONNECTIONS



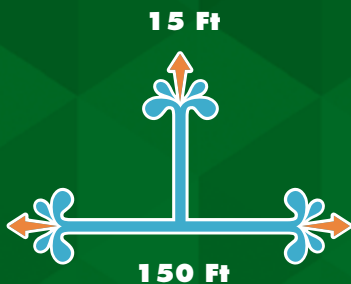
APPLICATION



RESIDENTIAL



PUMPING DISTANCE



INSTALLATION BEHIND THE TOILET



Example of installation. Follow local plumbing codes for actual install.

INSTALLATION BEHIND THE WALL



Example of installation. Follow local plumbing codes for actual install.

The **Saniaccess2** is a **1/2 HP pump system** used to install a half-bathroom up to **15 feet below the sewer line, or even up to 150 feet away** from a soil stack. It incorporates a **macerating system** which can handle human waste and toilet paper in residential applications. The blade is made out of a hardened stainless steel material which **eliminates the need for any service or replacement**.

- **Discharges the waste through a 3/4" or 1" rigid pipe. A non-return valve is included** on the discharge elbow assembly provided with the system. This elbow can be rotated 360 degrees depending on the discharge installation.
- Has been designed with a **1-1/2" vent connection** on the side of the pump housing. All plumbing codes require connection to a vent system. Please note that the vent system should be a two-way air vent as air needs to freely flow both ways. Note: The use of mechanical vents, air admittance valves or similar devices is not permitted.
- Must be connected to **Saniflo's 1.28 GPF / 4.8 LPF rear discharge toilet**. These toilets come in round and elongated (ADA compliant) models. More technical information on page 6.
- Will also discharge **gray water from a sink**. The wastewater will drain into the system via a 1-1/2" inlet which is located on the side of the pump housing. Note that either side connection can be used for the vent or as an inlet.
- Designed with two **easy access service panels** located on top of the pump. On one side of the pump you can easily access the **electrical components and the level sensor**. The other side allows access to the macerating blade for **easy removal of foreign objects**.



Toilet Tank (Part N° 005)

Insulated 1.28 GPF / 4.8 LPF toilet tank equipped with all internal valves. For more information, please turn to page 6.

Round/Elongated Bowl (Part N° 083 or 087)

Rear discharge toilet with 16-3/4" seating height (Elongated bowl is ADA compliant). For more information, please turn to page 6.

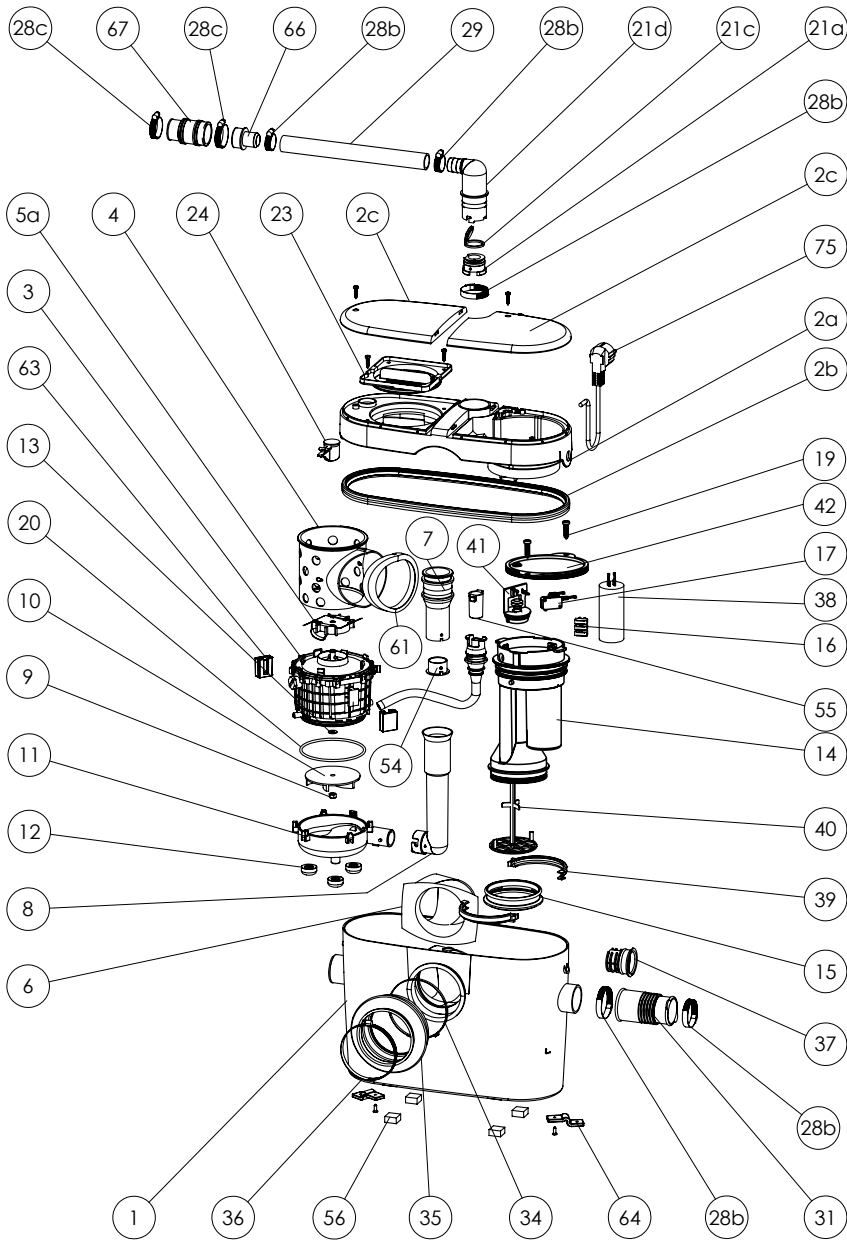
Extension Pipe (Part N° 030)

18" long PVC pipe with internal gasket used to hide the pump behind the wall. For more information, please turn to page 51.

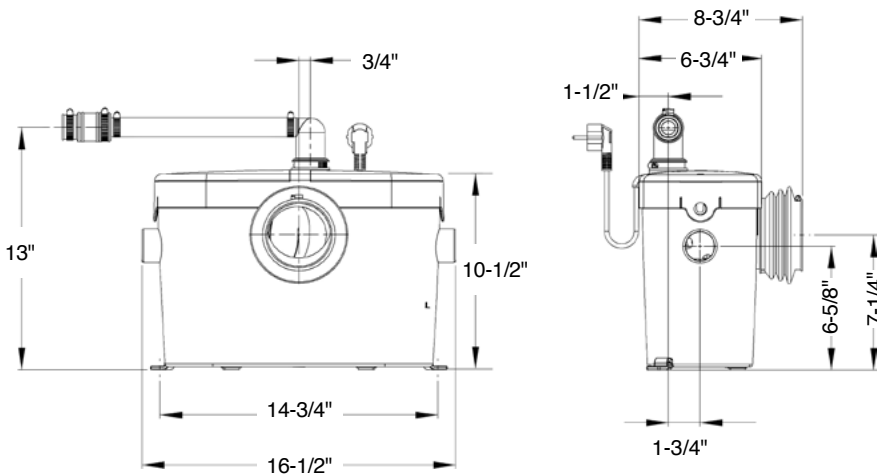
Saniaccess 2 (Part N° 081)

Macerating pump for residential applications. Ideal for creating a half-bathroom in a basement, attic, garage, pool house, etc.

PLEASE CALL US TOLL-FREE AT
800-571-8191 (US) / 800-363-5874 (CDN)
 TO PURCHASE PARTS REFERENCED BELOW



DIMENSIONAL DRAWINGS



Choose any sink and enjoy your dream half-bathroom.

TECHNICAL SPECIFICATIONS

Pump type:

Macerator

Electrical:

120 V – 60 Hz / 4.5 Amps (Max)

Motor:

0.5 HP oil-filled thermally protected motor

Capacitor rating:

45 microfarad

Operating Temperature:

104°F (110°F Max.)

Power cord length:

51 inches

Noise level:

≤ 53 dBA (Lp) (measured at 3 ft.)

Discharge pipe diameter:

3/4" or 1"

Discharge rate at 15 ft:

17 GPM

Discharge rate at 3 ft:

27 GPM

Shut-off head:

30 ft.

Normal running time:

10-12 seconds

Capacity:

2.3 gallons / 8.7 liters

Inlets:

1-1/2" (side), 1-1/2" vent (side)

Method of activation:

Membrane/microswitch

Weight:

15 lbs / 6.8 kg

Certifying agencies:

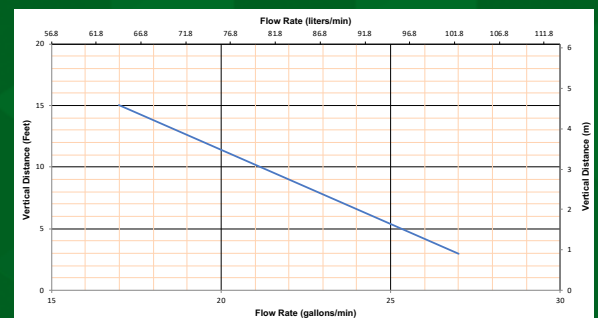
CSA (IPC, NSPC), IAPMO (UPC)

Recommended accessories:

Descaler

Connections:

Rear outlet toilet, sink



SANICOMPACT Macerator

CONNECTIONS



SINK

APPLICATION



RESIDENTIAL



FULL VIEW OF COMPLETE BATHROOM

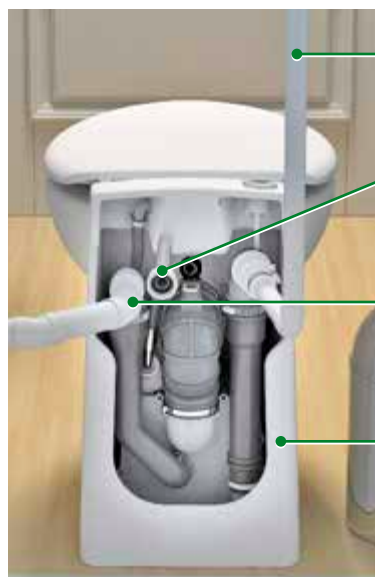
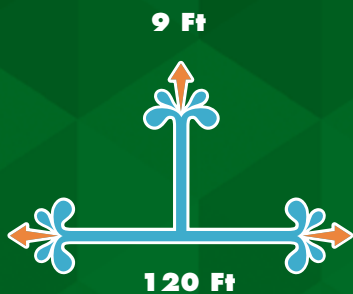


Example of installation. Follow local plumbing codes for actual install.

The **Sanicompact** is a self-contained dual-flush toilet system used to install a half-bathroom up to **9 feet below the sewer line, or even up to 120 feet away** from a soil stack. It incorporates a **macerating system** which can handle human waste and toilet paper in residential applications. The blade is made out of a hardened stainless steel material which **eliminates the need for any service or replacement**.

- **Discharges the waste through a 1" rigid pipe. A non-return valve is included** on the discharge elbow assembly provided with the system. This elbow can be rotated 360 degrees depending on the discharge installation.
- Has been designed with an internal one-way vent built into the system which **eliminates the need to have an external vent pipe**. Note: Check with your local plumbing codes for more information.
- The **standard dual flush version uses 1.28 gpf or 1 gpf (4.8 lpf or 3.8 lpf)**. This option allows using less water than any regular toilet but with the same efficiency. By pressing the push button, this activates a timer and a solenoid valve in order to fill and wash the sides of the bowl. The motor then starts and the waste and paper are sucked inside where it is macerated and pumped away. The timer is programmed to refill the bowl with fresh water after every cycle.
- Will also discharge **gray water from a sink**. The wastewater drains into a 1-1/4" hose connection in back of the toilet.

PUMPING DISTANCE



Discharge Pipe

It only requires a 1" pipe. The system is provided with a discharge elbow with a built-in check valve.

Water Supply

The system is provided with a water supply hose for easy connection. All that is needed is a 3/8" compression fitting (not included).

Sink Drain

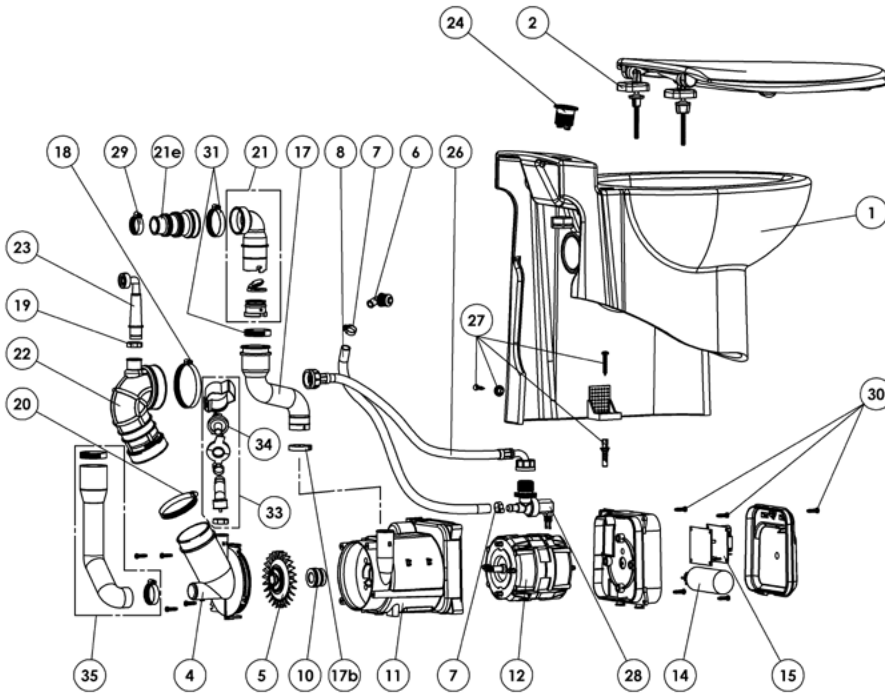
The system is provided with a rubber hose that connects to a 1-1/4" drainpipe. The system automatically discharges gray water independently from toilet operation.

Sanicompact

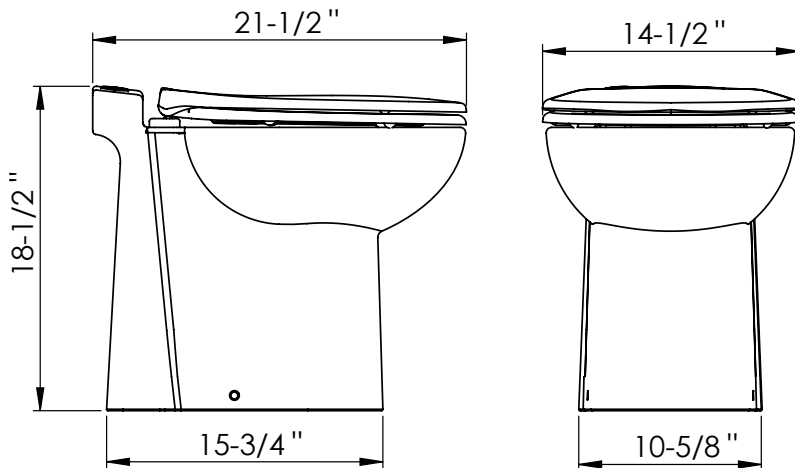
Dual-flush tankless toilet system (1 gpf, 1.28 gpf/ 4.8 lpf, 3.8 lpf) is ideal for tight spots. Floor mounted toilet includes soft-close toilet seat. It connects to a standard 120V GFCI power outlet.



PLEASE CALL US TOLL-FREE AT
800-571-8191 (US) / 800-363-5874 (CDN)
 TO PURCHASE PARTS REFERENCED BELOW



DIMENSIONAL DRAWINGS



Choose any sink and enjoy your dream half-bathroom.

TECHNICAL SPECIFICATIONS

Pump type:

Macerator

Electrical:

120 V – 60 Hz / 6.8 Amps (Max)

Motor:

0.5 HP oil-filled thermally protected motor

Capacitor rating:

2 x 45 microfarad

Operating Temperature:

95°F (110°F Max.)

Power cord length:

59 inches

Noise level

≤ 53 dBA (Lp) (measured at 3 ft.)

Discharge pipe diameter:

1"

Discharge rate at 9 ft:

13 GPM

Discharge rate at 3 ft:

24 GPM

Normal running time:

24 sec (18 sec ECO mode)

Capacity:

0.13 gallons / 0.5 liters

Inlets:

1-1/4" sink connection (on motor case)

Method of activation:

Push button / circuit board

Weight:

64 lbs / 29 kg (Bowl with motor)

Certifying agencies:

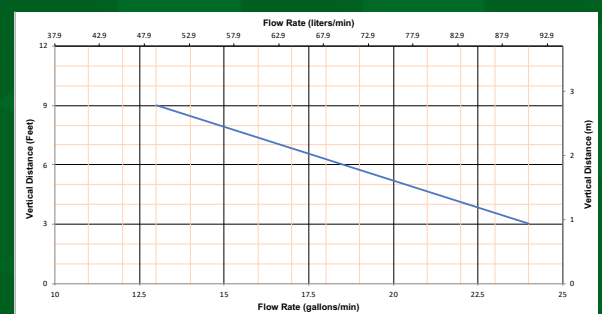
CSA (IPC, NSPC)

Recommended accessories:

Descaler

Connections:

Sink



SANICOMPACT COMFORT

CONNECTION



SINK

APPLICATION



RESIDENTIAL

FULL VIEW OF COMPLETE BATHROOM



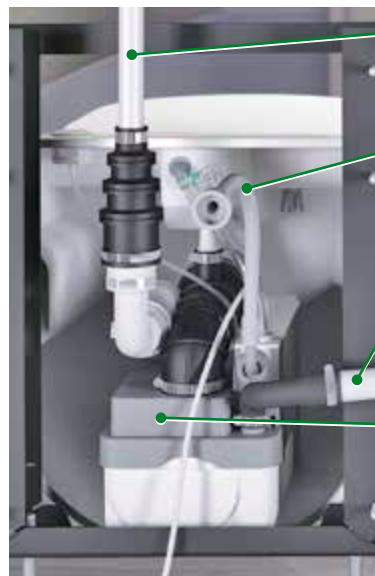
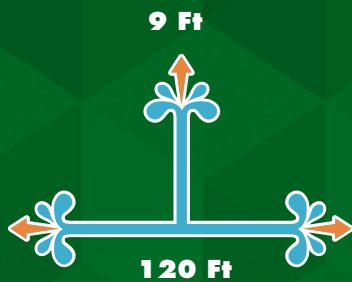
Example of installation. Follow local plumbing codes for actual install.

The **Sanicompact Comfort** is a **self-contained dual-flush toilet system** used to install a half-bathroom up to **9 feet below the sewer line, or even up to 120 feet away** from a soil stack. It incorporates a **macerating system** which can handle human waste and toilet paper in residential applications. The blade is made out of a hardened stainless steel material which **eliminates the need for any service or replacement**.

- **Discharges the waste through a 1" rigid pipe. A non-return valve is included** on the discharge elbow assembly provided with the system. This elbow can be rotated 360 degrees depending on the discharge installation.
- Has been designed with an internal one-way vent built into the system **which eliminates the need to have an external vent pipe**. Note: Check with your local plumbing codes for more information.
- The **standard dual flush version uses 1.28 gpf or 1 gpf (4.8 lpf or 3.8 lpf)**. This option allows using less water than any regular toilet but with the same efficiency. By pressing the push button, this activates a timer and a solenoid valve in order to fill and wash the sides of the bowl. The motor then starts and the waste and paper are sucked inside where it is macerated and pumped away. The timer is programmed to refill the bowl with fresh water after every cycle.
- Will also discharge **gray water from a sink**. The wastewater drains into a 1-1/4" hose connection in back of the toilet.



PUMPING DISTANCE



Discharge Pipe

It only requires a 1" pipe. The system is provided with a discharge elbow with a built-in check valve.

Water Supply

The system is provided with a water supply hose for easy connection. All that is needed is a 3/8" compression fitting (not included).

Sink Drain

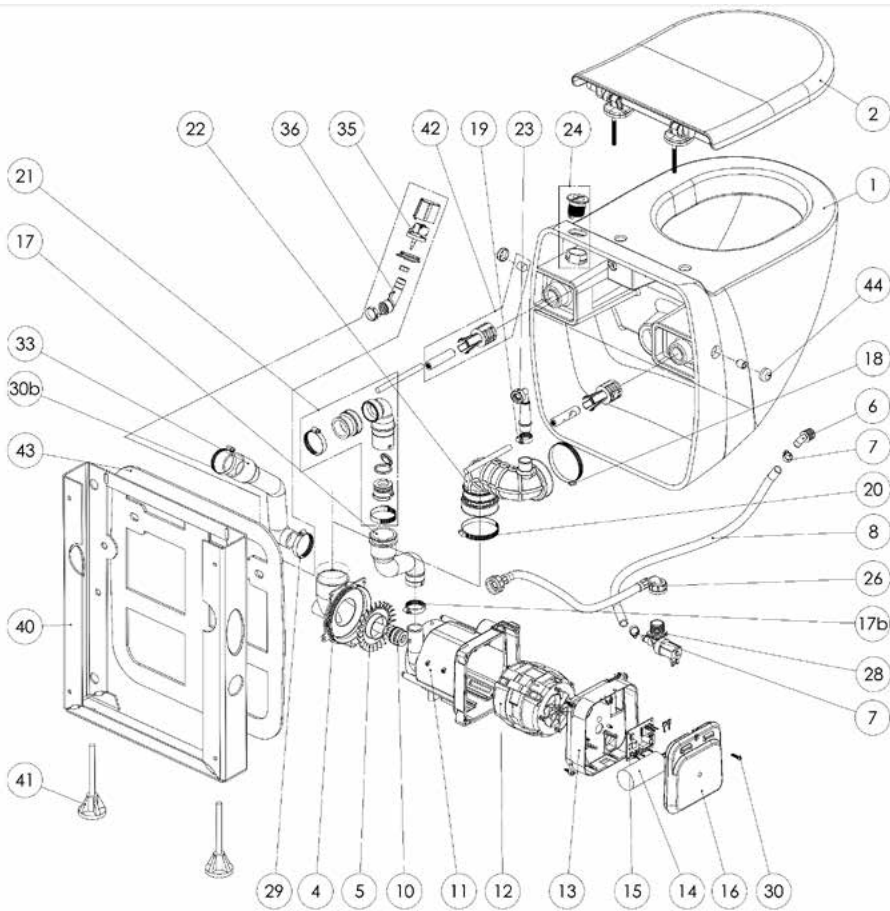
The system is provided with a rubber hose that connects to a 1-1/4" drainpipe. The system automatically discharges gray water independently from toilet operation.

Sanicompact Comfort

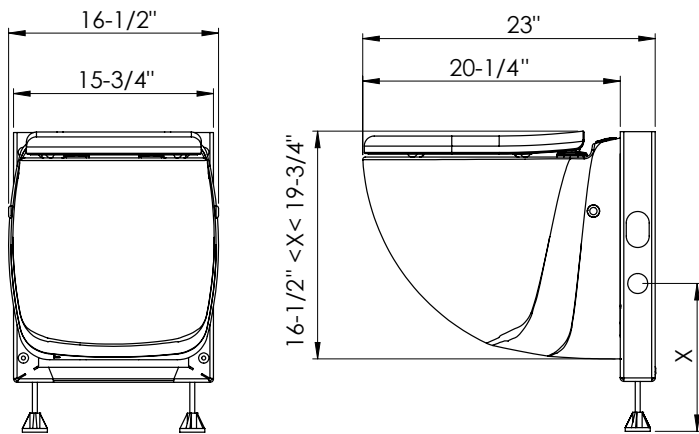
Dual-flush tankless toilet system (1 gpf, 1.28 gpf/ 4.8 lpf, 3.8 lpf) is ideal for tight spots. Wall-hung toilet includes soft-close toilet seat. It connects to a standard 120V GFCI power outlet.



**PLEASE CALL US TOLL-FREE AT
800-571-8191 (US) / 800-363-5874 (CDN)
TO PURCHASE PARTS REFERENCED BELOW**



DIMENSIONAL DRAWINGS



Choose any sink and enjoy your dream half-bathroom.

TECHNICAL SPECIFICATIONS

Pump type:

Macerator

Electrical:

120 V – 60 Hz / 6.8 Amps (Max)

Motor:

0.5 HP oil-filled thermally protected motor

Capacitor rating:

2 x 45 microfarad

Operating Temperature:

95°F (110°F Max.)

Power cord length:

59 inches

Noise level

≤ 53 dBA (Lp) (measured at 3 ft.)

Discharge pipe diameter:

1"

Discharge rate at 9 ft:

13 GPM

Discharge rate at 3 ft:

24 GPM

Normal running time:

24 sec (18 sec ECO mode)

Capacity:

0.13 gallons / 0.5 liters

Inlets:

1–1/4" sink connection (on motor case)

Method of activation:

Push button / circuit board

Weight:

72 lbs / 32.7 kg (Bowl with motor)

Certifying agencies:

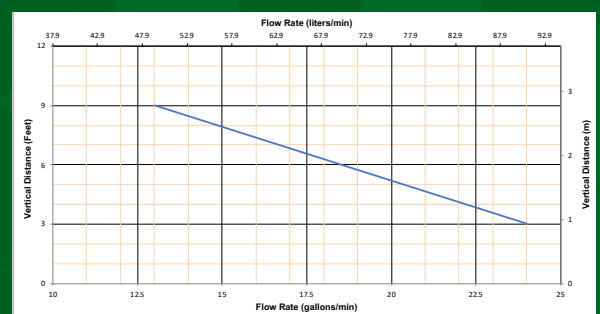
CSA (IPC, NSPC)

Recommended accessories:

Descaler

Connections:

Sink



SANISTAR Macerator

CONNECTION



SINK

APPLICATION



RESIDENTIAL

FULL VIEW OF COMPLETE BATHROOM



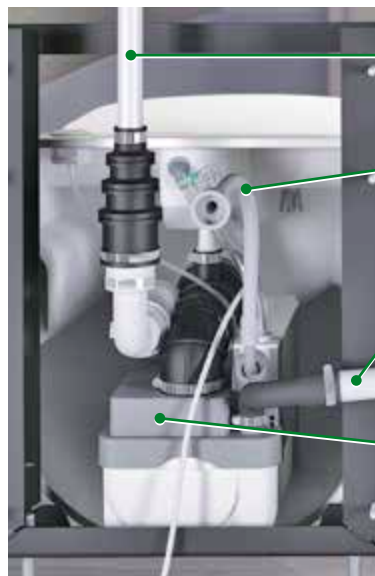
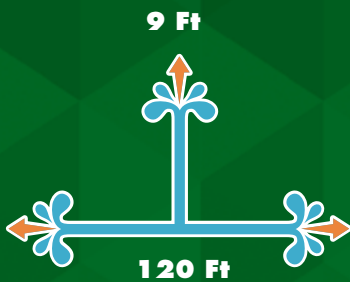
Example of installation. Follow local plumbing codes for actual install.

The **Sanistar is a self-contained dual-flush toilet system** used to install a half-bathroom up to **9 feet below the sewer line, or even up to 120 feet away** from a soil stack. It incorporates **a macerating system** which can handle human waste and toilet paper in residential applications. The blade is made out of a hardened stainless steel material which **eliminates the need for any service or replacement**.

- **Discharges the waste through a 1" rigid pipe. A non-return valve is included** on the discharge elbow assembly provided with the system. This elbow can be rotated 360 degrees depending on the discharge installation.
- Has been designed with an internal one-way vent built into the system **which eliminates the need to have an external vent pipe**. Note: Check with your local plumbing codes for more information.
- The **standard dual flush version uses 1.28 gpf or 1 gpf (4.8 lpf or 3.8 lpf)**. This option allows using less water than any regular toilet but with the same efficiency. By pressing the push button, this activates a timer and a solenoid valve in order to fill and wash the sides of the bowl. The motor then starts and the waste and paper are sucked inside where it is macerated and pumped away. The timer is programmed to refill the bowl with fresh water after every cycle.
- Will also discharge **gray water from a sink**. The wastewater drains into a 1-1/4" hose connection in back of the toilet.



PUMPING DISTANCE



Discharge Pipe

It only requires a 1" pipe. The system is provided with a discharge elbow with a built-in check valve.

Water Supply

The system is provided with a water supply hose for easy connection. All that is needed is a 3/8" compression fitting (not included).

Sink Drain

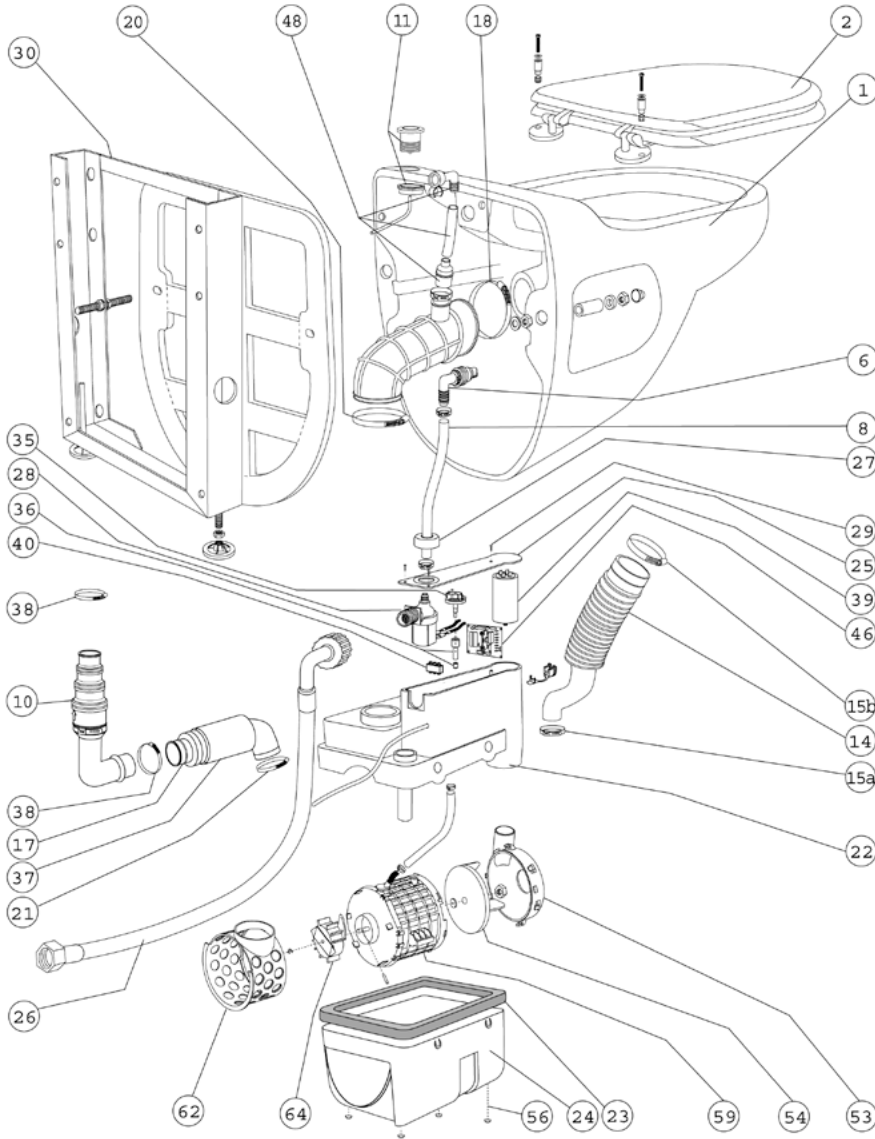
The system is provided with a rubber hose that connects to a 1 1/4" drainpipe. The system automatically discharges gray water independently from toilet operation.

Sanistar

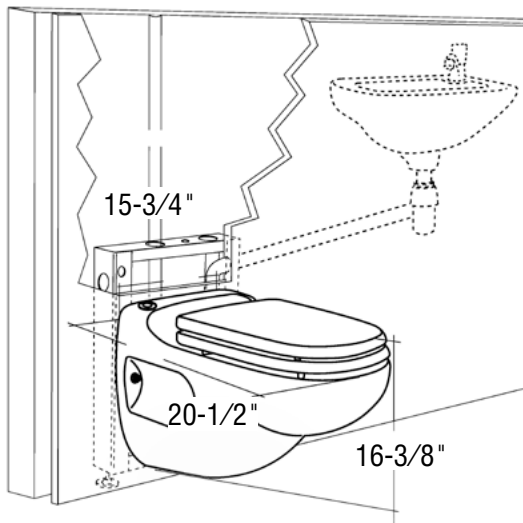
Dual-flush tankless toilet system flushes (1 gpf, 1.28 gpf/4.8 lpf, 3.8 lpf) (carrier included). Wall-hung toilet includes soft-close toilet seat. It connects to a standard 120V GFCI power outlet.



PLEASE CALL US TOLL-FREE AT
800-571-8191 (US) / 800-363-5874 (CDN)
 TO PURCHASE PARTS REFERENCED BELOW



DIMENSIONAL DRAWINGS



Choose any sink and enjoy your dream half-bathroom.

TECHNICAL SPECIFICATIONS

Pump type:

Macerator

Electrical:

120 V – 60 Hz / 9 Amps (Max)

Motor:

0.4 HP oil-filled thermally protected motor

Capacitor rating:

2 x 25 microfarad

Operating Temperature:

95°F (110°F Max.)

Power cord length:

51-1/2" inches

Noise level

≤ 53 dBA (Lp) (measured at 3 ft.)

Discharge pipe diameter:

1"

Discharge rate at 9 ft:

9 GPM

Discharge rate at 3 ft:

15 GPM

Normal running time:

24 sec (18 sec ECO mode)

Capacity:

0.8 gallons / 3 liters

Inlets:

1-1/4" sink connection (on motor case)

Method of activation:

Push button / circuit board

Weight:

76 lbs / 34.5 kg (Bowl with motor)

Certifying agencies:

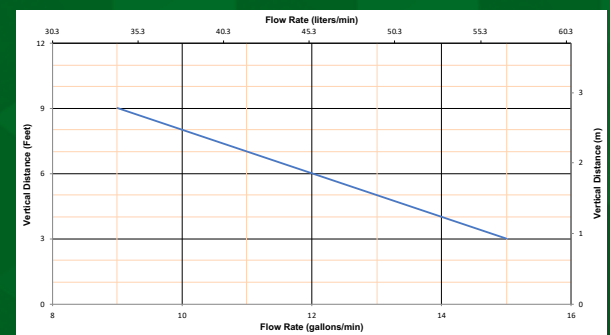
CSA (IPC, NSPC)

Recommended accessories:

Descaler

Connections:

Sink



SANISTAR HURRICANE RECONSTRUCTION

Homeowner created a new half-bathroom below the main drain using Saniflo's above-floor macerating technology while saving money in the process. Self-contained system allowed the installation to be completed in less than a day.



SFA Saniflo provides homeowner with money-saving solution in wake of hurricane



Learn more at:
www.saniflo.com
www.saniflo.ca

CHALLENGE

- 1** The construction of a new half-bathroom below the main drain line without the use of below-ground pump systems.
- 2** The coastal house is located in a flood prone area. Requires an elevated pumping system to help prevent future damages.
- 3** Limited budget provided from federal funds.

SOLUTION

- 1** The Sanistar system macerates the waste and pumps it into the main drain line eliminating the need of large diameter pipes.
- 2** The wall-hung toilet and pump system is elevated off the floor which helps eliminate the possibility of future damages due to minor flooding.
- 3** The cost of installation of the Sanistar system kept the homeowner from using out-of-pocket money.



A half-bathroom is easily constructed using Saniflo's Sanistar self-contained pump and toilet system.



Plumbing contractor measuring and testing the completed installation.

SFA Saniflo helps installation of additional toilets in tight spaces.



Many karaoke bars have adopted the flexibility of macerators to design comfortable rooms with private restrooms. These space-saving self-contained toilets are cost effective and very efficient.

CHALLENGE

- 1** Owners of these karaoke entertainment bars often want to use empty small spaces in high-rise buildings to install restrooms.
- 2** Space is limited for the construction and installation of a standard toilet.
- 3** As with most high-rise buildings, sewer lines are situated some distance away from where the toilet can be installed.

SOLUTION

- 1** The Sanicompact floor-mounted macerating pump and toilet system is installed to create a half-bathroom. This tankless toilet system requires minimum space for installation.
- 2** There was minimum disruption to the business while building the bathroom as there was no need to break the concrete.
- 3** Several private bathrooms were installed using above-the-floor technology from Saniflo.



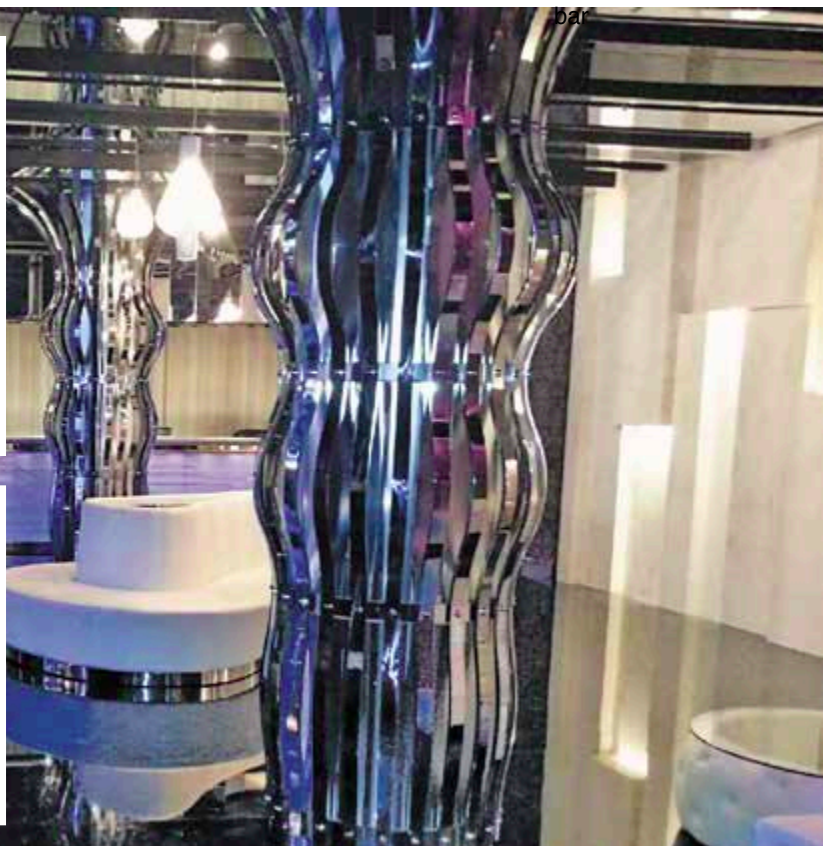
View of newly updated entrance of the karaoke bar



Sink connected to Sanicompact macerating toilet and pump system.



Luxurious karaoke room with newly added private bathroom for added comfort.



SANICOM 1 Drain Pump

CONNECTIONS



DISHWASHER



SINK



SHOWER



BATHTUB



LAUNDRY SINK

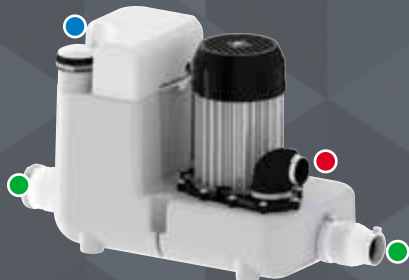


WASHING MACHINE

APPLICATIONS



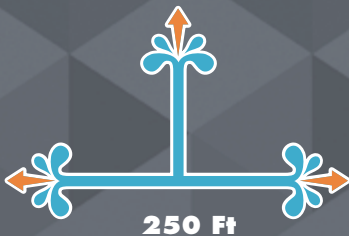
COMMERCIAL



Commercial Grade

PUMPING DISTANCE

25 Ft



250 Ft



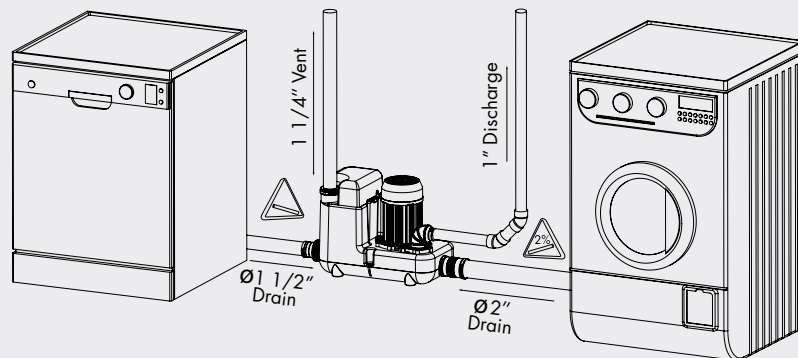
Commercial Grade

Example of installation. Follow local plumbing codes for actual install.

The **Sanicom 1 drain pump** is used to pump gray water away from a variety of fixtures in **commercial applications**. The system is able to discharge the waste up to **25 feet vertical and/or 250 feet horizontal**. This model was designed to sustain the toughest applications from commercial applications where hot water can be an issue as it is **capable of handling up to 194°F as well as grease..**

- **Discharges the waste through a 1" rigid pipe.** The system includes a rubber discharge elbow that adapts to the discharge pipe as well as a **non-return valve**. This elbow can be rotated 360 degrees depending on the discharge installation.
- Has been designed with a **1-1/4" vent connection** on top of the system. All plumbing codes require connection to a vent system. If codes require the use of a larger diameter vent pipe, this may be increased by means of an adapter. Please note that the vent system should be a two-way air vent as air needs to freely flow both ways. Note: The use of mechanical vents, air admittance valves or similar devices is not permitted.
- Discharges **gray water from commercial kitchens, dishwashers, washing machines, etc.** The gray water will drain into the system **via two 2" inlets** which are on either side of the housing. Note that when draining wastewater into the pump through either of the side inlets, an external check valve (not supplied) has to be installed.

AN EASY SOLUTION FOR COMMERCIAL APPLICATIONS REQUIRING GRAY WATER REMOVAL



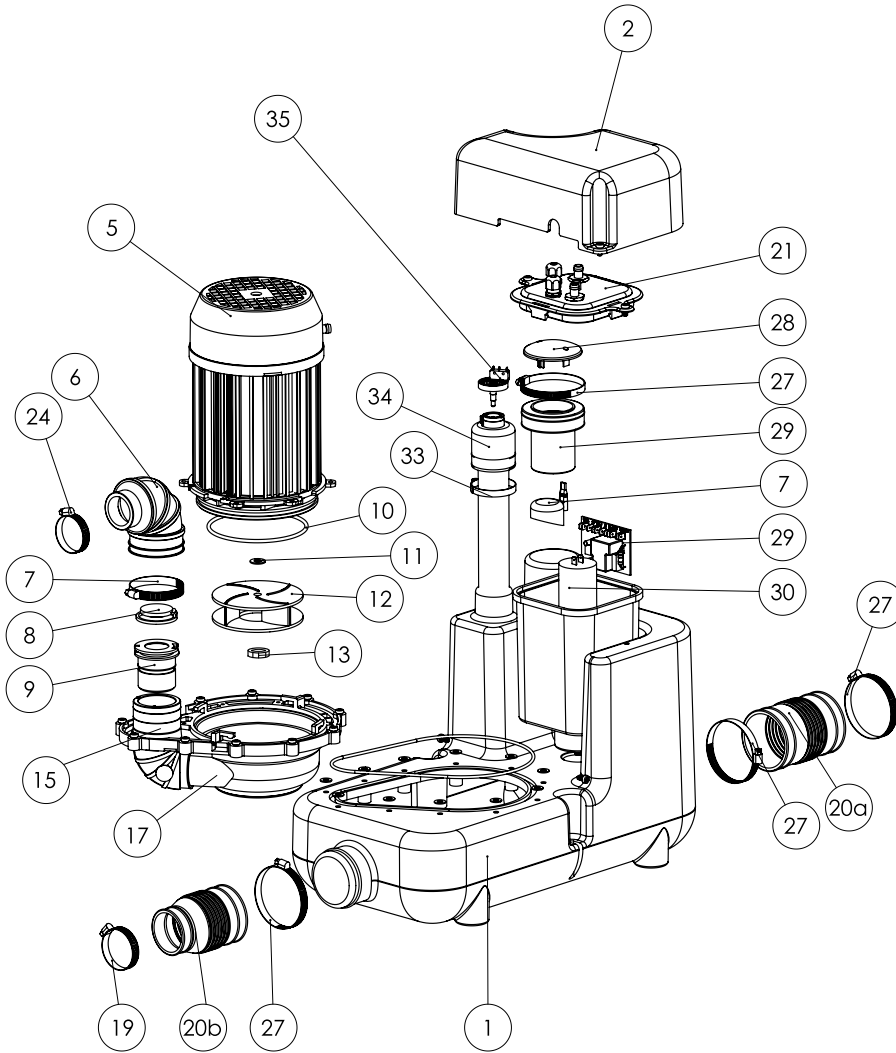
Powerful 1 HP drain pump meant for commercial applications where hot water can be an issue as it is capable of handling up to 194°F.

System is **capable of handling multiple fixtures simultaneously**. Powerful motor for absolute reliability and efficiency.

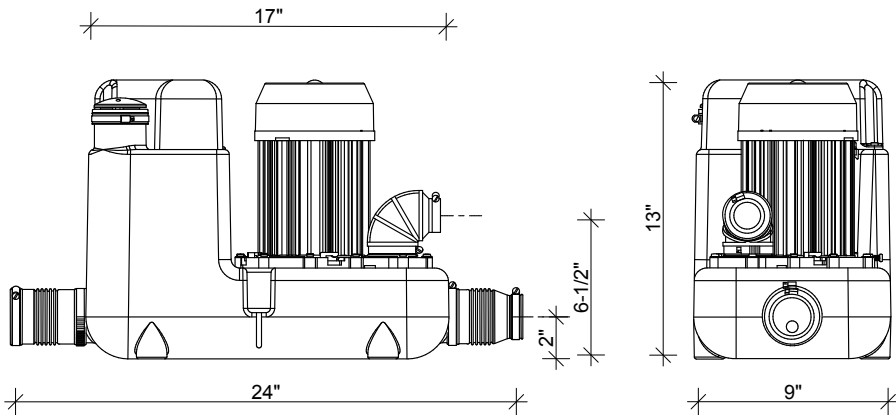
SANICOM I • PART N° 018



PLEASE CALL US TOLL-FREE AT
800-571-8191 (US) / 800-363-5874 (CDN)
 TO PURCHASE PARTS REFERENCED BELOW



DIMENSIONAL DRAWINGS



Pump gray water away from any commercial application.

TECHNICAL SPECIFICATIONS

Pump type:

Drain pump

Electrical:

120 V – 60 Hz / 10 Amps (Max)

Motor:

1 HP oil-filled thermally protected motor

Capacitor rating:

45 microfarad

Operating Temperature:

194°F Max.

Power cord length:

50 inches

Noise level:

≤ 68 dBA (Lp) (measured at 3 ft.)

Discharge pipe diameter:

1"

Discharge rate at 25 ft:

17 GPM

Discharge rate at 3 ft:

33 GPM

Shut-off head:

53 ft.

Normal running time:

4-6 Seconds (Short bursts)

Capacity:

2.75 gallons / 10.4 liters

Inlets:

2" (sides), 1-1/4" vent (top)

Method of activation:

Pressure switch/ circuit board

Shower/bathtub base height:

10" min

Weight:

22 lbs / 10 kg

Certifying agencies:

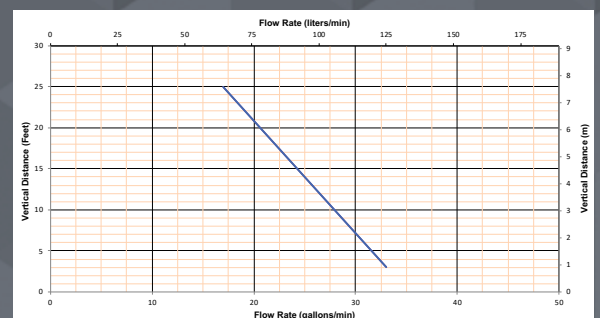
CSA (IPC, NSPC), IAPMO (UPC)

Recommended accessories:

Descaler

Connections:

Commercial sink, dishwasher,
 washing machine, etc



SANIVITE Drain Pump

CONNECTIONS



DISHWASHER



SINK



SHOWER



BATHTUB



LAUNDRY SINK



WASHING MACHINE

APPLICATIONS



RESIDENTIAL



COMMERCIAL



CommercialGrade

Example of installation. Follow local plumbing codes for actual install.

The **Sanivite drain pump** is used to pump gray water away from a variety of fixtures in **commercial and residential applications**. The system is able to discharge the waste up to **16 feet vertical and/or 150 feet horizontal**. This model was designed to sustain the toughest applications as it is capable of **handling hot water and grease**.

- Discharges the waste through a 1", 1-1/4" or 1-1/2" rigid pipe. A non-return valve is included on the discharge elbow assembly provided with the system. This elbow can be rotated 360 degrees depending on the discharge installation.
- Has been designed with a 1-1/2" vent connection on top of the lid. All plumbing codes require connection to a vent system. Either inlet located on top of the housing can be used for the vent or as an inlet. Please note that the vent system should be a two-way air vent as air needs to freely flow both ways. Note: The use of mechanical vents, air admittance valves or similar devices is not permitted.
- Discharges gray water from a kitchen sink, bath/shower, dishwasher, washing machine (indirect connection via laundry sink). The gray water will drain into the system via **three inlets**, two 2" inlets (with built-in check valves) on either side of the housing and one 1-1/2" inlet on top of the enclosure.



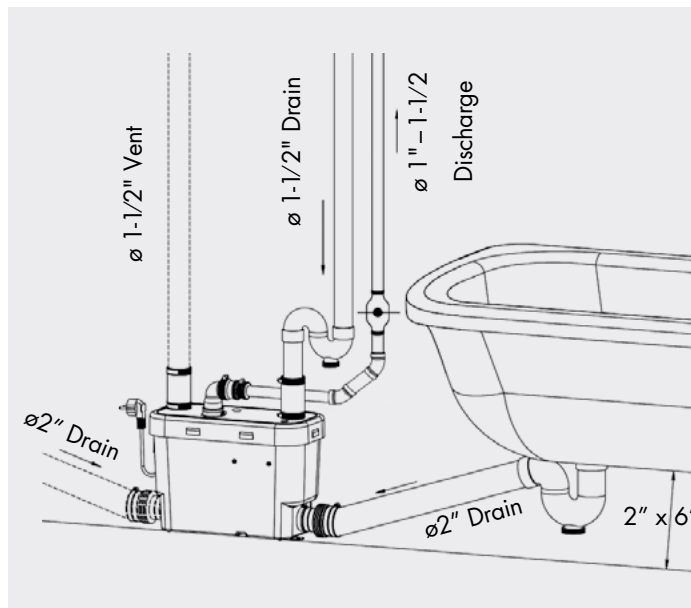
CommercialGrade

PUMPING DISTANCE

16 Ft



150 Ft



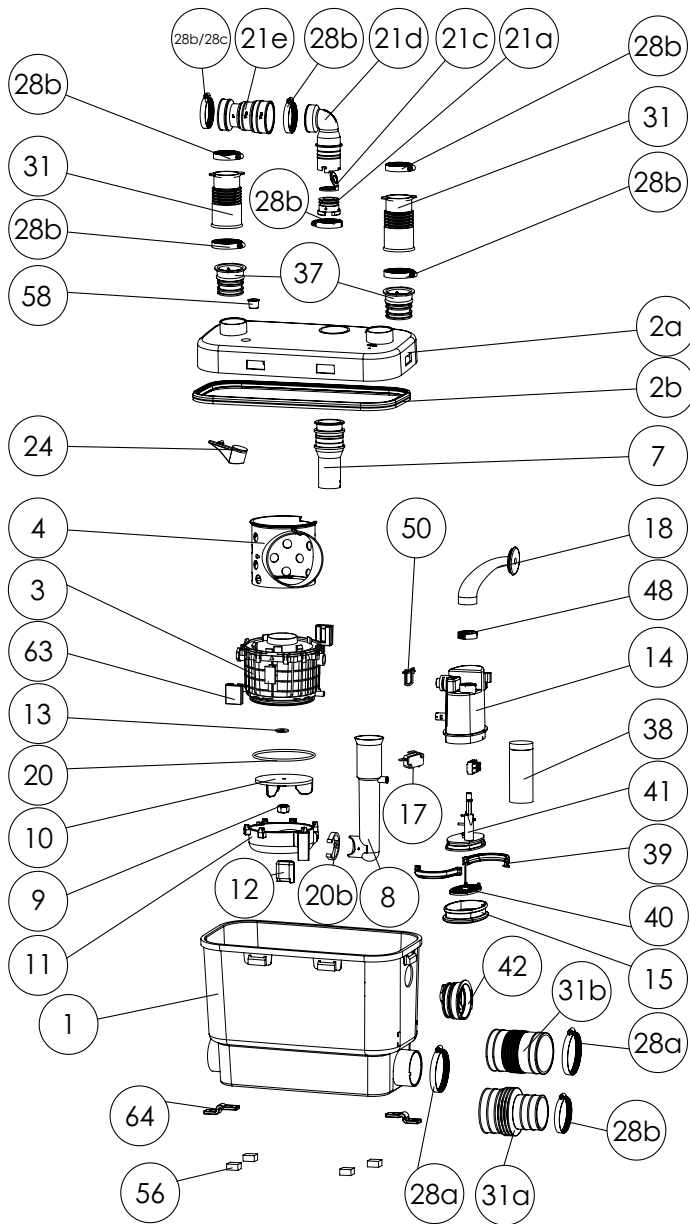
AN EASY SOLUTION FOR A KITCHEN INSTALLATION OR FOR ANY GRAY WATER APPLICATION

Drain pump small enough to fit inside a kitchen cabinet with the **capability to handle hot water and grease buildup**.

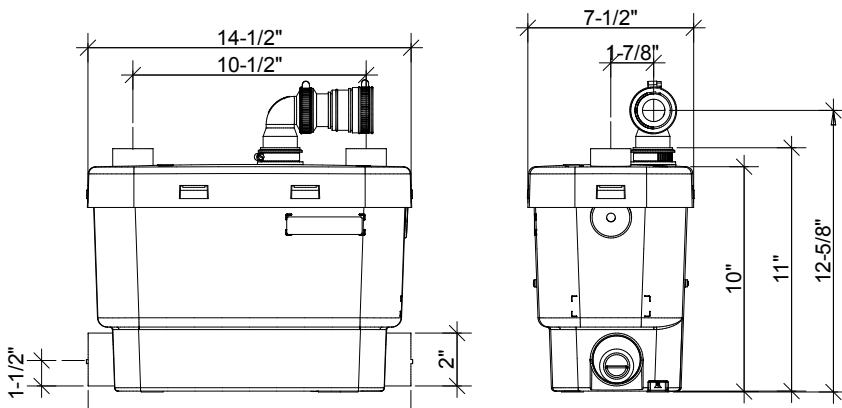
The perfect quiet solution **designed with low drain inlets** which facilitate the installation of showers and bathtubs in **heavy-duty residential or commercial applications**. Built-in check valves prevent any backup into the connecting fixtures.



PLEASE CALL US TOLL-FREE AT
800-571-8191 (US) / 800-363-5874 (CDN)
 TO PURCHASE PARTS REFERENCED BELOW



DIMENSIONAL DRAWINGS



TECHNICAL SPECIFICATIONS

Pump type:

Drain pump

Electrical:

120 V – 60 Hz / 4.5 Amps (Max) *

Motor:

0.4 HP oil-filled thermally protected motor

Capacitor rating:

18 microfarad

Operating Temperature:

140°F

Power cord length:

42-1/2 inches

Noise level:

≤ 44 dBA (Lp) (measured at 3 ft.)

Discharge pipe diameter:

1" - 1-1/2"

Discharge rate at 16 ft:

18 GPM

Discharge rate at 3 ft:

29 GPM

Shut-off head:

30 ft.

Normal running time:

3-5 seconds (Short bursts)

Capacity:

3.7 gallons / 14 liters

Inlets:

2" (sides), 1-1/2" vent (top)

Method of activation:

Membrane/microswitch

Shower/bathtub base height:

6" min

Weight:

16 lbs / 7.25 kg

Certifying agencies:

CSA (IPC, NSPC)

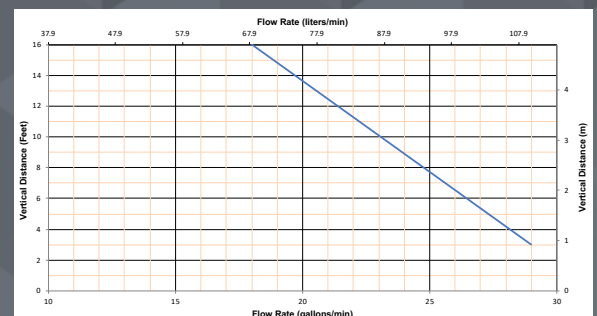
Recommended accessories:

Descaler, Sanialarm

Connections:

Sink, shower/bathtub, washing machine (indirect), dishwasher, laundry sink, etc.

* Measured using 1" discharge. Information will vary once the discharge size is increased. Consult with factory.



An easy solution for a kitchen installation, a remote laundry room or any gray water application.

SANISWIFT Drain Pump

CONNECTIONS



SHOWER



SINK



DISHWASHER



LAUNDRY

APPLICATION



RESIDENTIAL



ResidentialGrade

Example of installation. Follow local plumbing codes for actual install.

The **Saniswift drain pump** is used to pump gray water away from a variety of fixtures in **residential applications**. The system is able to discharge the waste up to **14 feet vertical and/or 140 feet horizontal**.

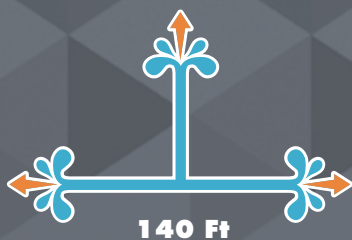
- Discharges the waste through either a **1", 1-1/4" or 1-1/2"** rigid pipe. A **non-return valve** is included on the discharge fitting assembly provided with the system.
- Has been designed with a **1-1/2" vent connection** on top of the lid. All plumbing codes require connection to a vent system. Either inlet located on top of the housing can be used for the vent or as an inlet. Please note that the vent system should be a two-way air vent as air needs to freely flow both ways. Note: The use of mechanical vents, air admittance valves or similar devices is not permitted.
- Discharges **gray water from a kitchen sink, shower, dishwasher, washing machine** (indirect connection via laundry sink). The gray water will drain into the system **via three 1-1/2" inlets**, two low inlets (with built-in check valves) on either side of the housing and one on top of the enclosure.



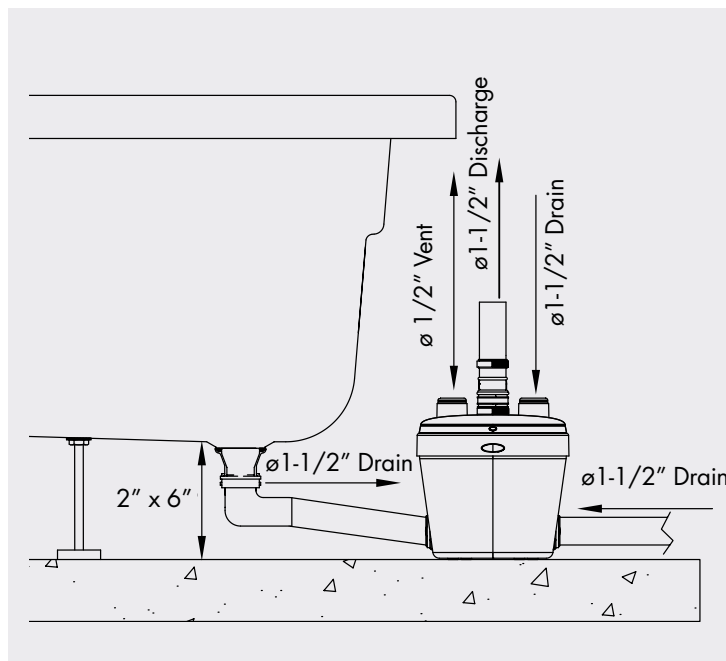
ResidentialGrade

PUMPING DISTANCE

14 Ft



140 Ft



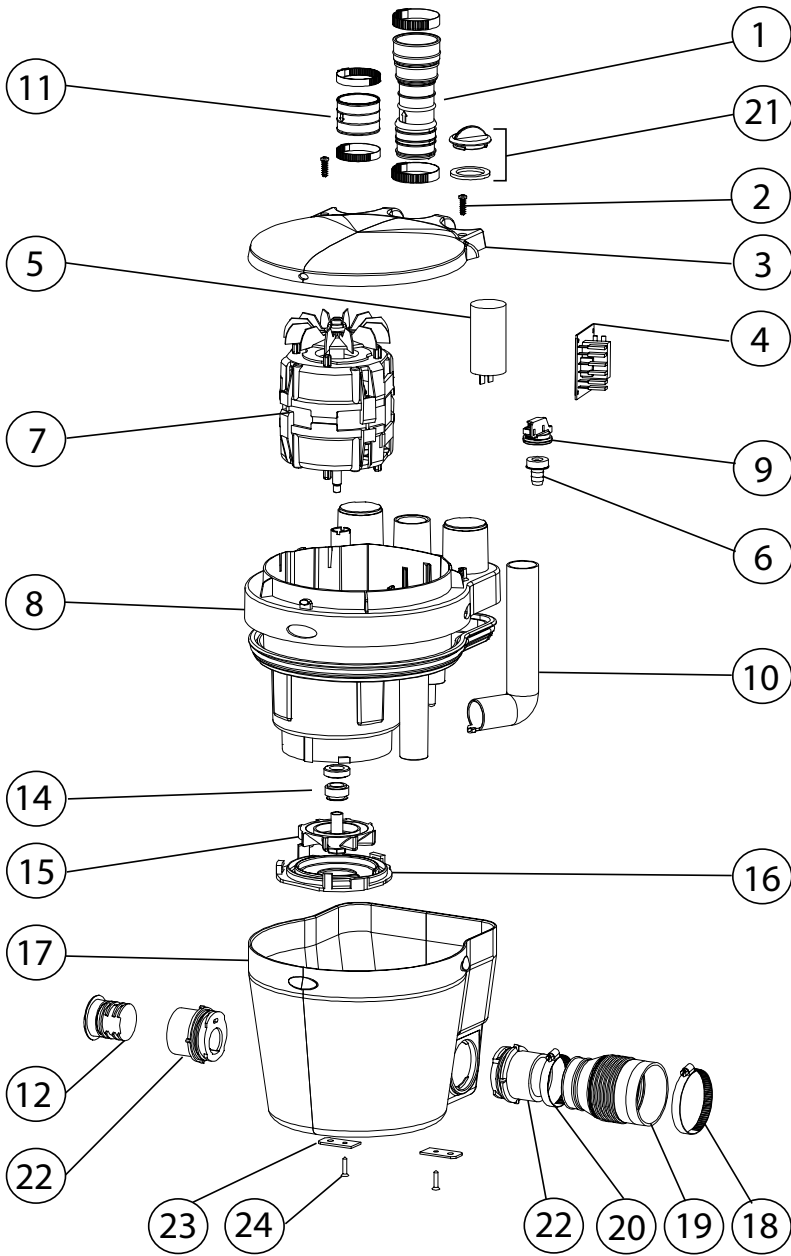
AN EASY SOLUTION FOR A REMOTE LAUNDRY ROOM INSTALLATION OR FOR ANY GRAY WATER APPLICATION

Powerful and economical with a compact design and multiple inlets which makes it perfect for installations anywhere you can imagine. The perfect quiet solution **designed with low drain inlets** which facilitate the installation of a shower in **residential applications**. Built-in check valves prevent any backup into the connecting fixtures.

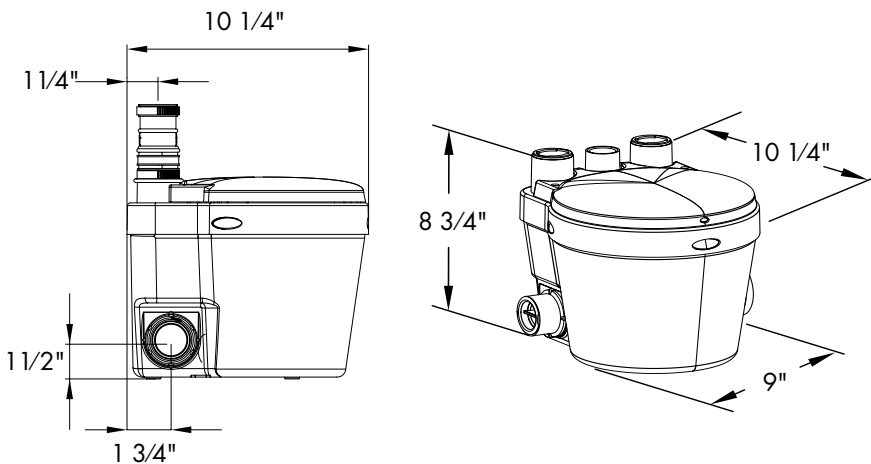
SANISWIFT • PART N° 021



PLEASE CALL US TOLL-FREE AT
800-571-8191 (US) / 800-363-5874 (CDN)
 TO PURCHASE PARTS REFERENCED BELOW



DIMENSIONAL DRAWINGS



An easy and inexpensive solution for gray water applications!

TECHNICAL SPECIFICATIONS

Pump type:

Drain pump

Electrical:

120 V – 60 Hz / 4.5 Amps (Max) *

Motor:

0.3 HP oil-filled thermally protected motor

Capacitor rating:

30 microfarad

Operating Temperature:

140°F

Power cord length:

48 inches

Noise level:

≤ 44 dBA (Lp) (measured at 3 ft.)

Discharge pipe diameter:

1" - 1-1/2"

Discharge rate at 14 ft:

18 GPM

Discharge rate at 3 ft:

24 GPM

Shut-off head:

25 ft.

Normal running time:

3-5 seconds (Short bursts)

Capacity:

2.75 gallons / 10.4 liters

Inlets:

1-1/2" (sides), 1-1/2" vent (top)

Method of activation:

pressure switch/ circuit board

Shower/bathtub base height:

6" min

Weight:

13 lbs / 5.9 kg

Certifying agencies:

CSA (IPC, NSPC)

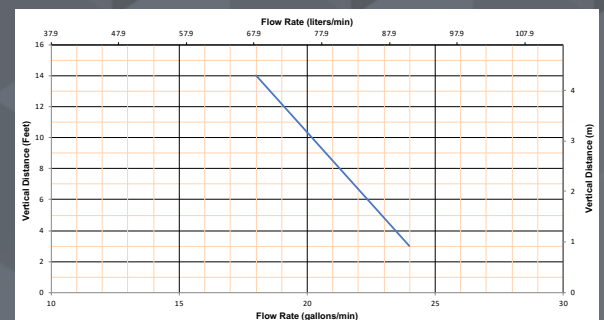
Recommended accessories:

Descaler

Connections:

Sink, shower, washing machine (indirect),
 dishwasher, laundry sink, etc.

* Measured using 1" discharge. Information will vary once the discharge size is increased. Consult with factory.



SANISHOWER Drain Pump

CONNECTIONS



SHOWER



SINK

APPLICATION



RESIDENTIAL



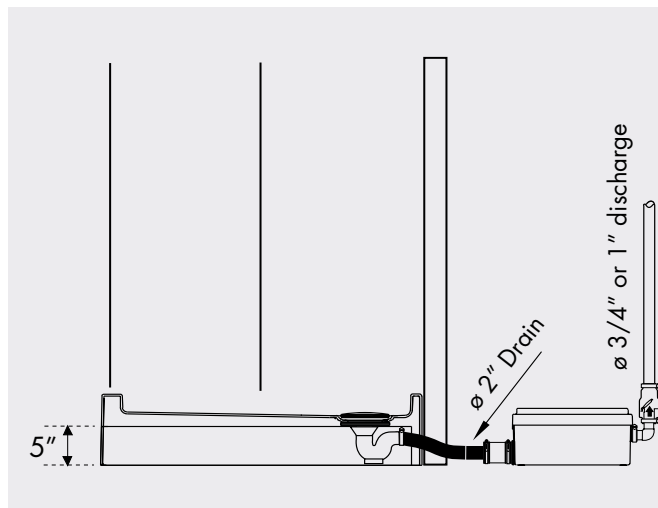
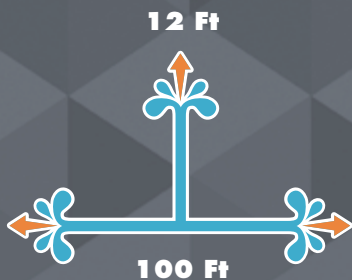
Example of installation. Follow local plumbing codes for actual install.

The **Sanishower drain pump** is used to pump gray water away from a variety of fixtures in **residential applications**. The system is able to discharge the waste up to **12 feet vertical and/or 100 feet horizontal**.

- Discharges the waste through a **3/4" or 1"** rigid pipe. A **non-return valve is included** on the discharge fitting assembly provided with the system. Unlike the other models, the discharge for this model is on the side of the enclosure.
- Has been designed to be **vented through a 1-1/4" or 1-1/2" pipe**. The vent output is located on the top of the pump. The case has a knockout which along with the rubber adapter provided is used to connect to the vent pipe. Note: The use of mechanical vents, air admittance valves or similar devices is not permitted.
- Discharges **gray water from a shower or sink**. The gray water will drain into the system **via two 2" inlets (with built-in check valves)** on either side of the housing.



PUMPING DISTANCE



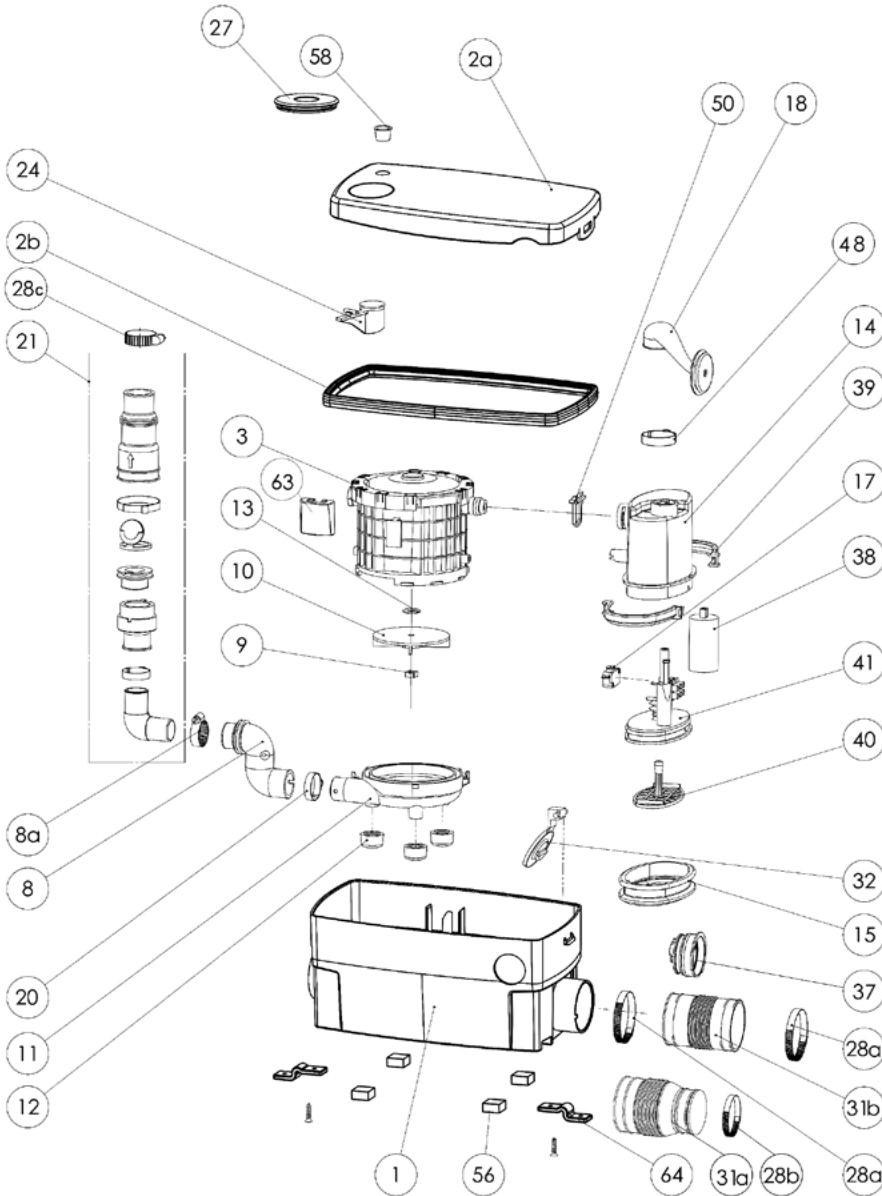
AN EASY SOLUTION FOR A REMOTE SHOWER OR SINK INSTALLATION OR FOR ANY GRAY WATER APPLICATION

Easy to install and small enough to fit underneath a shower base. Ideal for **medium duty applications**.

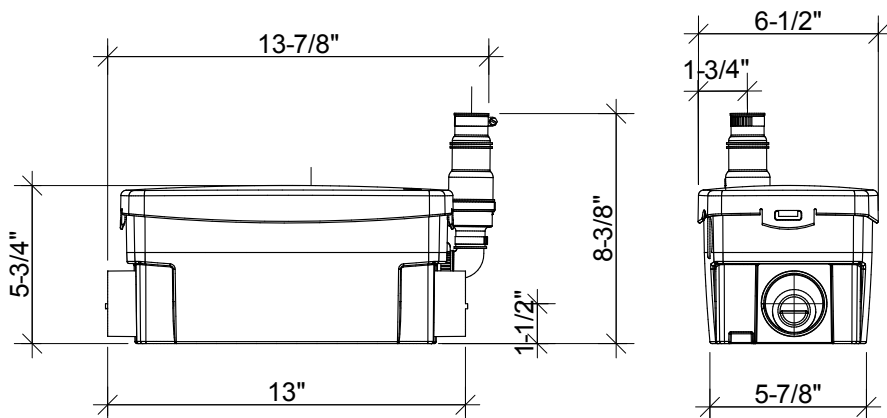
Pre-assembled system with a **low inlet and built-in check valve**. Typical installations include the discharge of gray water from **showers, sinks and pedicure chairs**.



**PLEASE CALL US TOLL-FREE AT
800-571-8191 (US) / 800-363-5874 (CDN)
TO PURCHASE PARTS REFERENCED BELOW**



DIMENSIONAL DRAWINGS



An easy and inexpensive solution for gray water applications!

TECHNICAL SPECIFICATIONS

Pump type:

Drain Pump

Electrical:

120 V – 60 Hz / 5.5 Amps (Max)

Motor:

0.2 HP oil-filled thermally protected motor

Capacitor rating:

25 microfarad

Operating Temperature:

104°F (110°F Max.)

Power cord length:

48-1/2"

Noise level:

≤ 44 dBA (Lp) (measured at 3 ft.)

Discharge pipe diameter:

3/4" or 1"

Discharge rate at 12 ft:

14 GPM

Discharge rate at 3 ft:

20 GPM

Shut-off head:

26 ft.

Normal running time:

3-5 seconds (Short bursts)

Capacity:

0.9 gallons / 3.4 liters

Inlets:

2" (sides)

Method of activation:

Membrane/microswitch

Shower/bathtub base height:

5" min

Weight:

12 lbs / 5.4 kg

Certifying agencies:

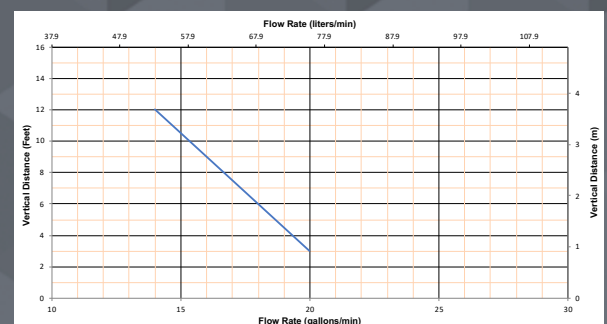
CSA (IPC, NSPC)

Recommended accessories:

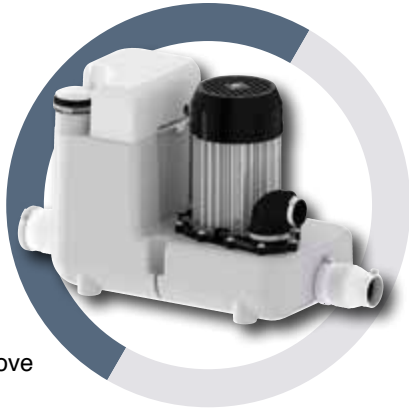
Descaler

Connections:

Sink, shower



SFA Saniflo provides efficient pumping system for demanding application.



“Our goal was to provide our customer with an ideal solution for draining gray water from their cannabis production chambers by pumping the effluent up to the ceiling level,” explained Phil Warren, National Sales Manager in Canada

CHALLENGE

- 1 Finding a product with low-level inlets to remove gray water from their cannabis production chambers.
- 2 Able to handle the overflow from cannabis discharge and harsh condensate from the boiler/humidifier
- 3 The vertical evacuation of discharge needed to be at 25 ft of head
- 4 Required a product capable of lasting over 50,000 cycles per year.

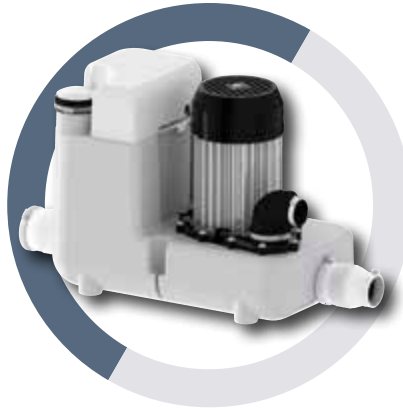
SOLUTION

- 1 The low inlets of this heavy-duty drain pump are close to ground level, allowing for easy connection and discharge.
- 2 Unit is specially designed to withstand liquids with highly acidic properties, such as gray water from processing applications making it a great solution for discharging the treatment and feeding water from cannabis production systems
- 3 Capable of discharging gray water up to 25 ft of head (52 ft shut-off head)
- 4 The Sanicom1 is tested to have an expectancy of 3 million cycles.



SFA Saniflo provides smart solutions in commercial kitchens where traditional gravity drainage is impossible.

The powerful 1-HP Sanicom I pump is used to evacuate hot water from commercial kitchens. The perfect solution for applications where the water temperature can cause problems.



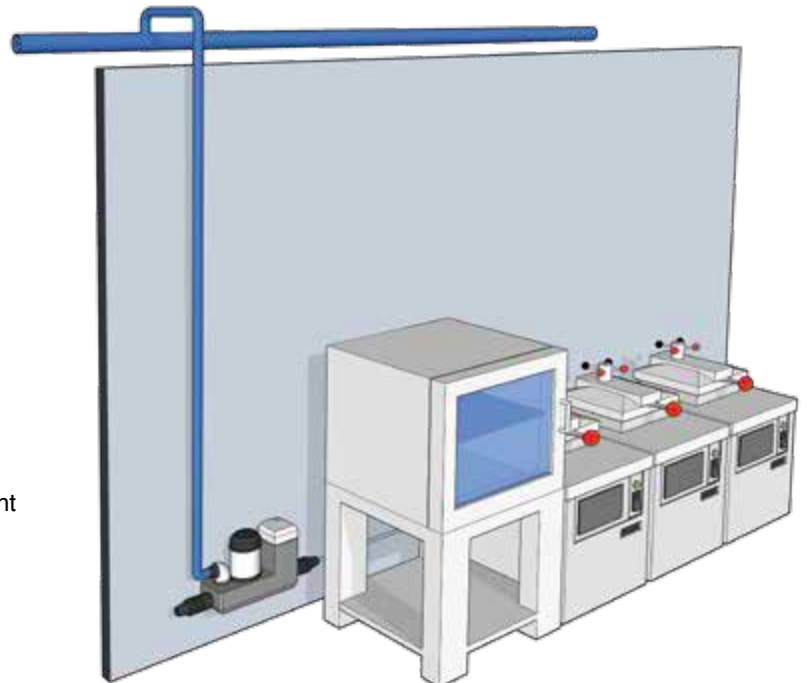
Learn more at:
www.saniflo.com
www.saniflo.ca

CHALLENGE

- 1 Kitchen ovens required a connection to the main sewer in order to discharge wastewater created by steam and by automatic self-cleaning cycle.
- 2 The kitchen was located in a building that had the drain far and above floor level without means of gravity.
- 3 A pump capable of handling hot water from different appliances was required.

SOLUTION

- 1 Several pumps were installed, each for a different oven in different restaurant locations.
- 2 The Sanicom 1 was able to pump 15 Ft vertically to the point of discharge where gravity took over.
- 3 The pump had no issues with the temperature of the waste water since the Sanicom I can handle up to 194°F.



View of restaurant inside shopping



Pump installation behind oven



SFA Saniflo provides a more reliable solution in popular coffee shops.



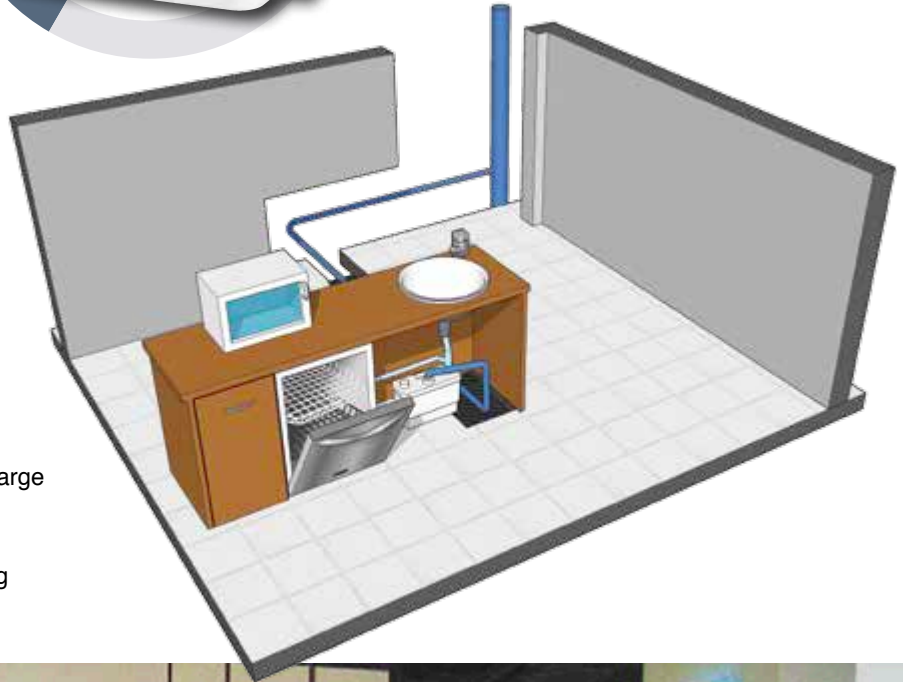
The very powerful, yet quiet and compact Sanivite pump is used to evacuate gray water for a sink addition. This heavy-duty drain pump is the perfect solution when no drain line is present.

CHALLENGE

- 1 Existing submersible pumps gave off odors and failed regularly affecting everyday activity.
- 2 Need to substitute existing system with reliable product that would be required to pump gray water from a sink and dishwasher.
- 3 Coffee shop is located inside busy shopping mall restricting construction time.

SOLUTION

- 1 Easily replaced with Sanivite drain pump thus eliminating failures or call backs.
- 2 Sanivite was installed behind cabinetry to discharge wastewater to the main drainpipe located at the opposite end of the shop.
- 3 Installation was completed quickly using existing drain lines.



Coffee shop sales counter



Coffee shop inside shopping mall.



Sanivite installed underneath the counter sink

SFA Saniflo helps with the redesign of a new dentist office.

When the owner of a dentist office needed to add dental chairs to a new location, several Sanishower drain pumps made it possible.



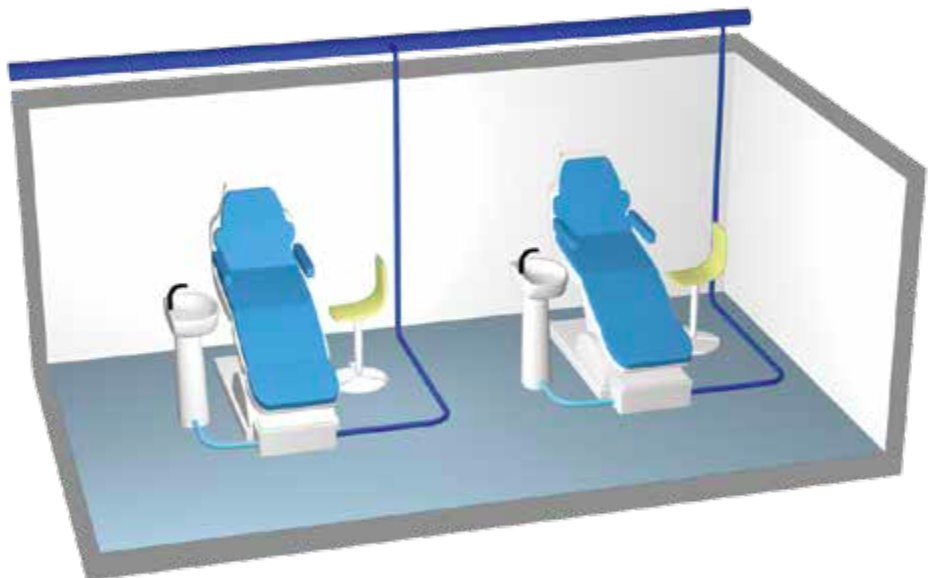
Learn more at:
www.saniflo.com

CHALLENGE

- 1 The existing sewer lines were too far away from the desired chair location and traditional gravity was an expensive proposition.
- 2 Bound by traditional plumbing limitations, the office renovation would result in thousands of dollars in labor intensive traditional plumbing works.

SOLUTION

- 1 Resistant to short-cycle conditions, the Sanishower drain pumps are ideal for applications requiring the removal of hot water.
- 2 With the installation of several Sanishower drain pumps, the new fit-out project was completed in only a few days.



New redesigned and improved dentist office.



Dental chairs added to new office



Dental chair equipped with Sanishower drain pump

SANICONDENS Condensate Pump

CONNECTIONS



BOILER



AIR
CONDITIONER



HVAC

APPLICATIONS



RESIDENTIAL



COMMERCIAL



Example of installation. Follow local plumbing codes for actual install.

The Sanicondens is a small pump used **to pump condensate from condensing boilers, HVAC systems, water heater systems, etc.** The Sanicondens will pump condensate waste up to **15 feet in height and/or 150 feet away** from a soil stack.

- Discharges the condensate waste through a 3/8" vinyl tube. A non-return valve is included on the discharge connection provided with the system.
- The small, powerful pumping unit can be floor or wall mounted. It comes with provisions for **already-to-wire connection to an external overflow switch** that will shut down the appliance or alert the consumer in the event of overflow. It also includes all necessary hardware for ease of installation; **20 Ft of vinyl tubing, inlet adapter, discharge adapter.**
- Discharges **condensate from a condensing boiler or other condensate producing fixtures.** The condensate will drain into the system via **two 1" inlets located on top of the enclosure.**

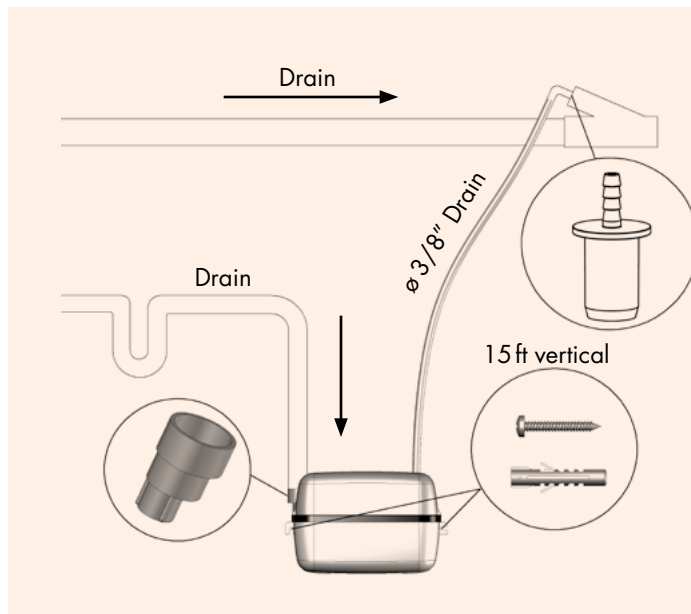


PUMPING DISTANCE

15 Ft



150 Ft



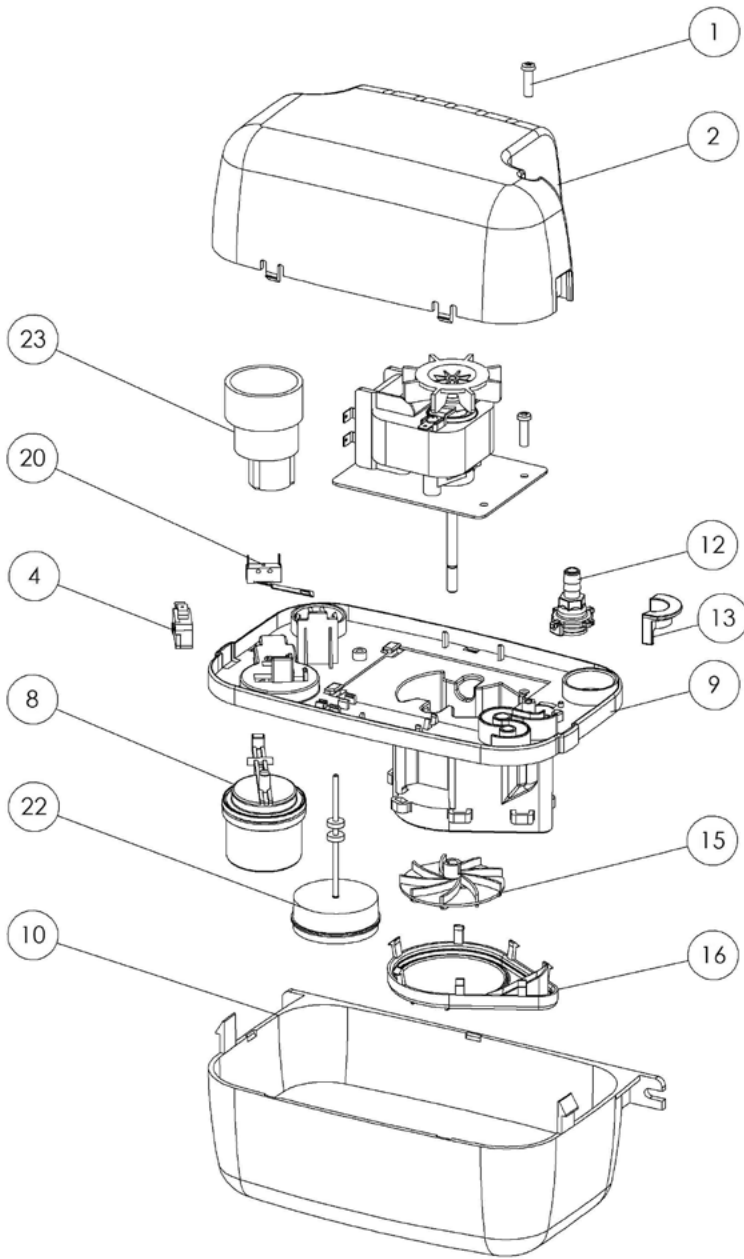
AN EASY SOLUTION TO PUMP CONDENSATE AWAY FROM CONDENSING BOILERS AND AIR CONDITIONERS

One of the **most powerful and quiet condensate pumps** on the market with features that no competitor can match.

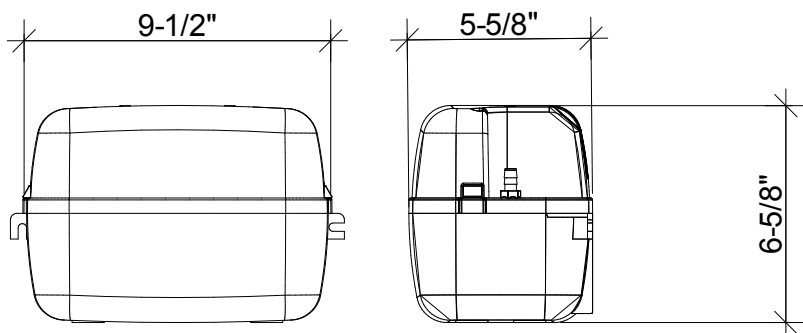
The two-quart capacity condensate pump comes equipped with **all the necessary hardware for easy installation.** It can be installed on top of a flat surface or mounted on a wall.



**PLEASE CALL US TOLL-FREE AT
800-571-8191 (US) / 800-363-5874 (CDN)
TO PURCHASE PARTS REFERENCED BELOW**



DIMENSIONAL DRAWINGS



Pump away condensate from any HVAC application!

TECHNICAL SPECIFICATIONS

Pump type:

Condensate Pump

Electrical:

120 V – 60 Hz / 1.5 Amps (Max)

Motor:

1/30 HP oil-filled thermally protected motor

Operating Temperature:

160°F Max

Power cord length:

60 inches

Noise level:

≤ 44 dBA (Lp) (measured at 3 ft.)

Discharge pipe diameter:

3/8"

Discharge rate at 15 ft:

30 GPH

Discharge rate at 3 ft:

86 GPH

Normal running time:

3-5 seconds (Short bursts)

Capacity:

0.5 gallons / 1.9 liters

Inlets:

1" (top)

Method of activation:

Float/microswitch

Weight:

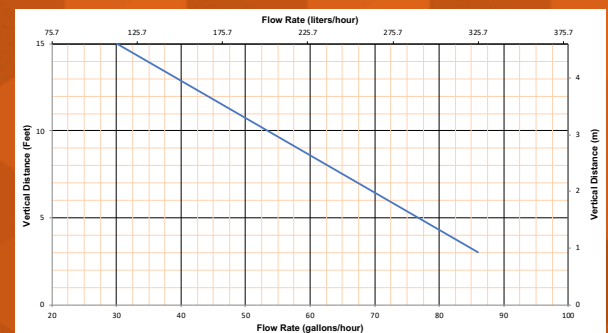
7 lbs / 3.1 kg

Certifying agencies:

CSA (IPC, NSPC)

Connections:

Condensing boiler, HVAC systems,
air conditioners



SANICONDENS BEST

CONNECTIONS



BOILER



AIR
CONDITIONER



HVAC

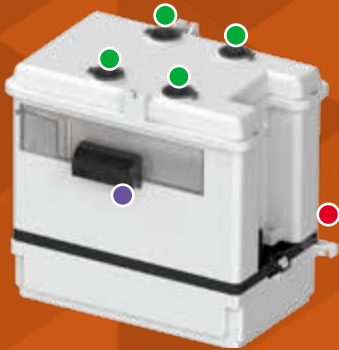
APPLICATIONS



RESIDENTIAL



COMMERCIAL



PUMPING DISTANCE

15 Ft



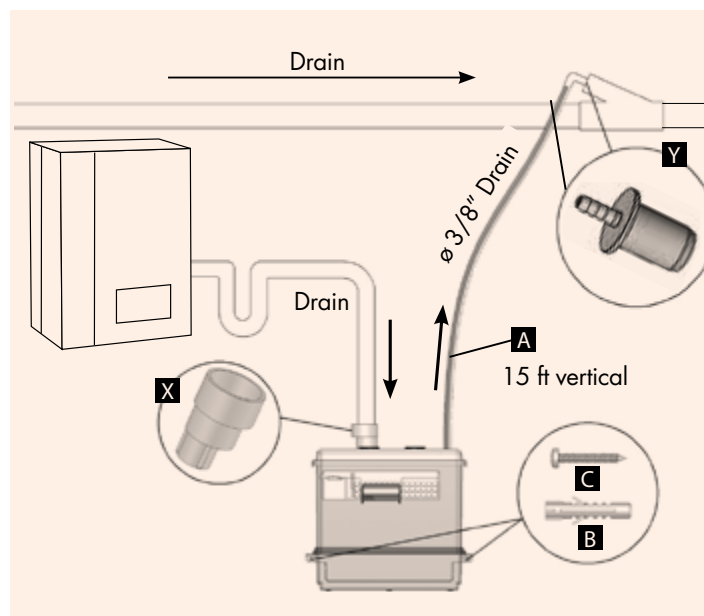
150 Ft



Example of installation. Follow local plumbing codes for actual install.

The Sanicondens Best is a pump used to **neutralize and pump condensate from condensing boilers, HVAC systems, water heater systems, etc.** The Sanicondens Best will pump condensate waste up to **15 feet in height and/or 150 feet away** from a soil stack.

- Discharges the condensate waste through a 3/8" vinyl tube. A non-return valve is included on the discharge connection provided with the system.
- Comes with provisions for a ready-to-wire connection to an external overflow switch that will shut down the appliance or alert the consumer in the event of overflow. It also includes all necessary hardware for ease of installation; 20 Ft of vinyl tubing, inlet adapter, discharge adapter.
- Discharges condensate from a condensing boiler or other condensate producing fixtures. The condensate will drain into the system via four 1" inlets located on top of the enclosure.
- Comes equipped with a built-in neutralizer to raise pH levels for harsh HVAC applications. Neutralizing granules come included with the condensate pump. Will neutralize condensate from appliances up to 240,000 BTU/hour input.



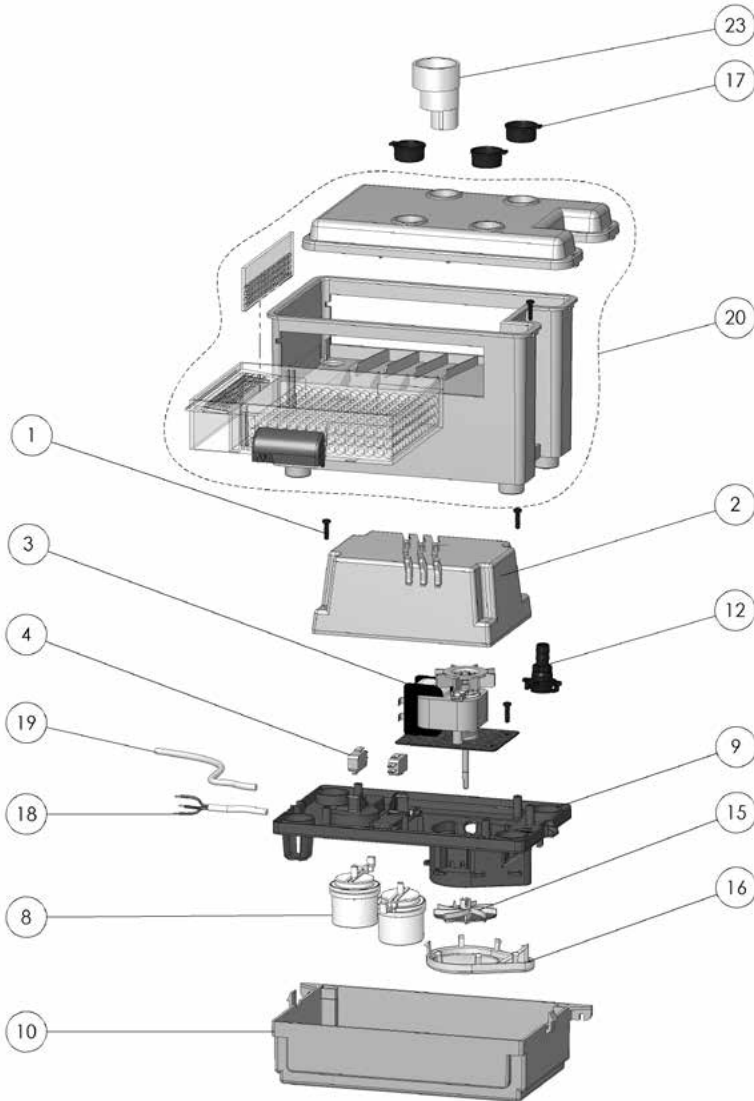
2 IN 1 CONDENSATE PUMP WITH BUILT-IN NEUTRALIZER FOR HARSH HVAC APPLICATIONS

Neutralizing agent (Part# 042) is used to **raise the pH level** from condensate being produced by condensing boilers, air conditioners, etc. The two quart capacity condensate pump comes equipped with **all the necessary hardware for easy installation.** It can be installed on top of flat surface or mounted on a wall.

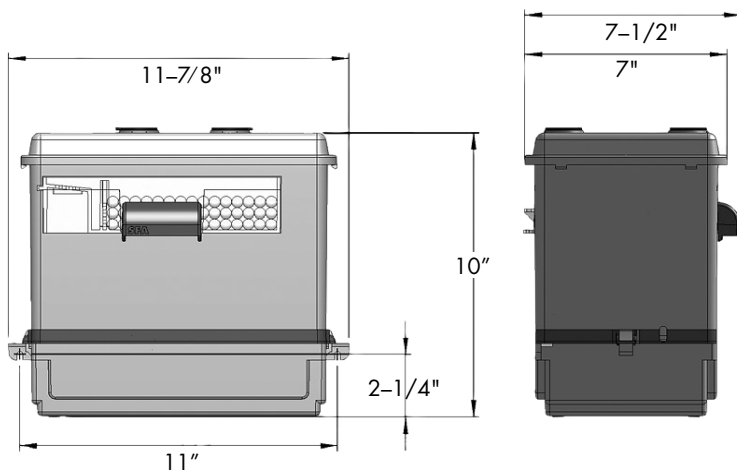
SANICONDENS BEST • PART N° 041



**PLEASE CALL US TOLL-FREE AT
800-571-8191 (US) / 800-363-5874 (CDN)
TO PURCHASE PARTS REFERENCED BELOW**



DIMENSIONAL DRAWINGS



TECHNICAL SPECIFICATIONS

Pump type:

Condensate pump

Electrical:

120 V – 60 Hz / 1.5 Amps (Max)

Motor:

1/30 HP oil-filled thermally protected motor

Operating Temperature:

160°F Max

Power cord length:

61-1/2 inches

Noise level:

≤ 44 dBA (Lp) (measured at 3 ft.)

Discharge pipe diameter:

3/8"

Discharge rate at 15 ft:

30 GPH

Discharge rate at 3 ft:

86 GPH

Normal running time:

3-5 sec (Short bursts)

Capacity:

0.5 gallons / 2.1 liters

Inlets:

1" (top)

Method of activation:

Float/Microswitch

Weight:

12 lbs / 5.4 kg

Certifying agencies:

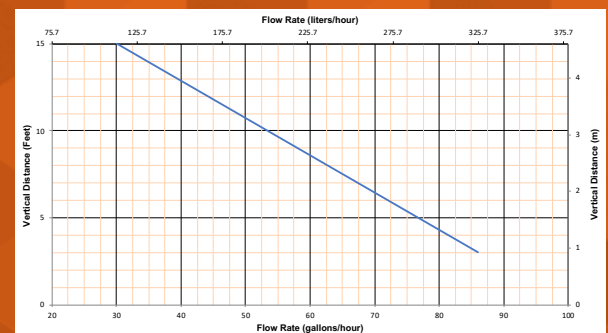
CSA (IPC, NSPC)

Recommended Accessories:

Neutralizing granules (Part# 042)

Connections:

Condensing boiler, HVAC systems,
air conditioners



Pump away harsh condensate from any HVAC application!

SANICONDENS BEST FLAT

CONNECTIONS



BOILER



AIR
CONDITIONER



HVAC

APPLICATIONS



RESIDENTIAL



COMMERCIAL



Example of installation. Follow local plumbing codes for actual install.

The Sanicondens Best Flat is a low profile pump used to **neutralize and pump condensate from condensing boilers, HVAC systems, water heater systems, etc.** The Sanicondens Best Flat will pump condensate waste up to **15 feet in height and/or 150 feet away** from a soil stack.

- Discharges the condensate waste through a 3/8" vinyl tube. A non-return valve is included on the discharge connection provided with the system.
- Comes with provisions for a ready-to-wire connection to an external overflow switch that will shut down the appliance or alert the consumer in the event of overflow. It also includes all necessary hardware for ease of installation; 20 Ft of vinyl tubing, inlet adapter, discharge adapter.
- Discharges condensate from a condensing boiler or other condensate producing fixtures. The condensate will drain into the system via a side inlet or through a couple of inlets on top of the enclosure.
- Comes equipped with a built-in neutralizer to raise pH levels for harsh HVAC applications. Neutralizing granules come included with the condensate pump. Will neutralize condensate from appliances up to 500,000 BTU/hour input.

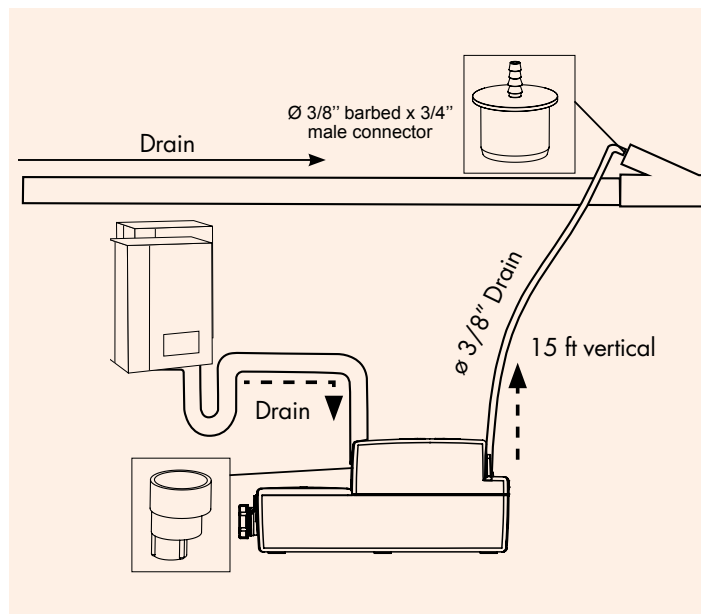


PUMPING DISTANCE

15 Ft



150 Ft

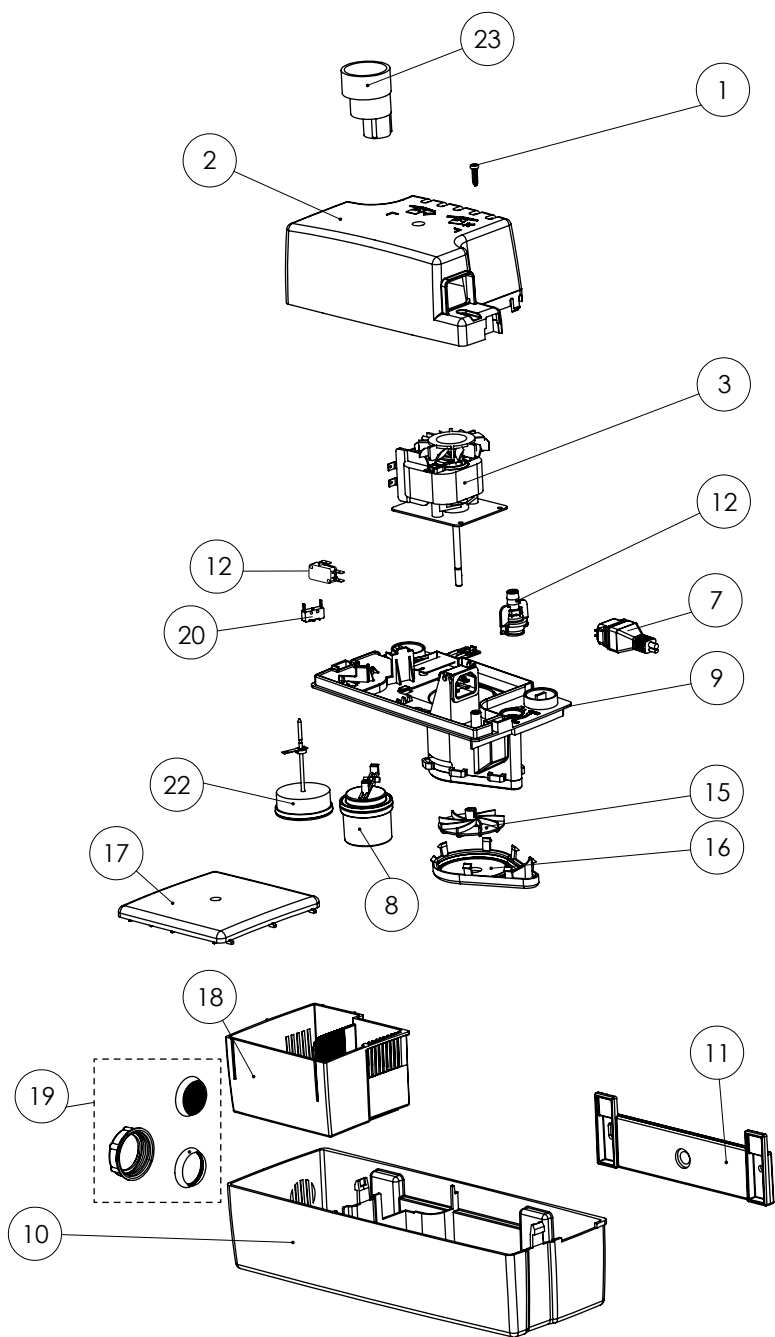


2 IN 1 CONDENSATE PUMP WITH BUILT-IN NEUTRALIZER FOR HARSH HVAC APPLICATIONS

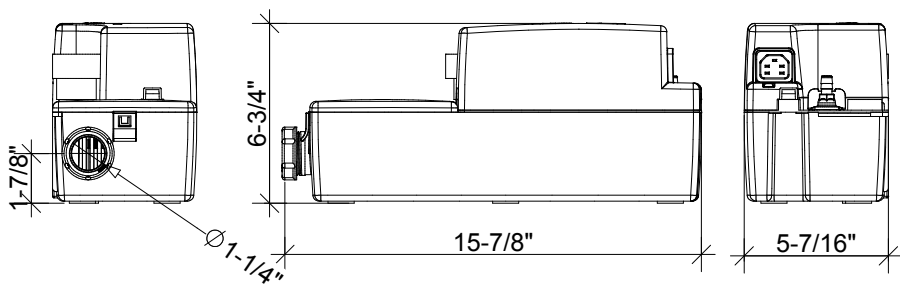
Neutralizing agent (Part# 042) is used to **raise the pH level** from condensate being produced by condensing boilers, air conditioners, etc. The two quart capacity condensate pump comes equipped with **all the necessary hardware for easy installation.** It can be installed on top of flat surface or mounted on a wall.



**PLEASE CALL US TOLL-FREE AT
800-571-8191 (US) / 800-363-5874 (CDN)
TO PURCHASE PARTS REFERENCED BELOW**



DIMENSIONAL DRAWINGS



TECHNICAL SPECIFICATIONS

Pump type:

Condensate pump

Electrical:

120 V – 60 Hz / 1.5 Amps (Max)

Motor:

1/30 HP oil-filled thermally protected motor

Operating Temperature:

160°F Max

Power cord length:

61-1/2 inches

Noise level:

≤ 44 dBA (Lp) (measured at 3 ft.)

Discharge pipe diameter:

3/8"

Discharge rate at 15 ft:

30 GPH

Discharge rate at 3 ft:

86 GPH

Normal running time:

3-5 sec (Short bursts)

Capacity:

0.9 gallons / 3.4 liters

Inlets:

1" (top), 1" (side)

Method of activation:

Float/Microswitch

Weight:

12 lbs / 5.4 kg

Certifying agencies:

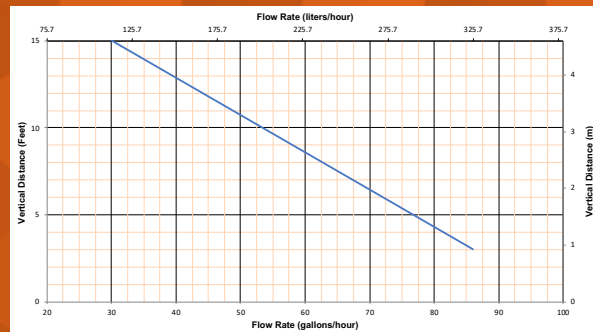
CSA (IPC, NSPC)

Recommended Accessories:

Neutralizing granules (Part# 042)

Connections:

Condensing boiler, HVAC systems,
air conditioners



Pump away harsh condensate from any HVAC application!

SANINEUTRAL

CONNECTIONS



BOILER



AIR
CONDITIONER



HVAC

APPLICATIONS



RESIDENTIAL



COMMERCIAL



Example of installation. Follow local plumbing codes for actual install.

The Sanineutral is a system **that neutralizes acidic condensate from condensing boilers, HVAC systems, water heater systems, etc.** The Sanineutral works without a pump or it can be placed before the Sanicondens or Sanicondens Best.

- After the condensate is neutralized, it **exits the enclosure through one of several diameters (1/2" or 3/4" PVC slip or barbed)**. The condensate will **drain through gravity into an existing sewer line**.
- The neutralizing agent will **raise the pH level** of the condensate from harsh HVAC applications. Will neutralize condensate from appliances up to **240,000 BTU/hour input**.
- Discharges **condensate from a condensing boiler or other condensate producing fixtures**. The condensate will drain into the system via **a side inlet that can be adapted to one of several diameters (1/2" or 3/4" PVC slip or barbed)**.

TECHNICAL SPECIFICATIONS

Operating Temperature:

160°F Max.

Boiler Capacity up to (BTU/hr)

240,000

Boiler Capacity up to (kW)

59

Connection diameter (inch)

1/2" or 3/4" PVC slip or barbed

Net Weight (Lbs)

3.7

Load (Lbs)

2.9



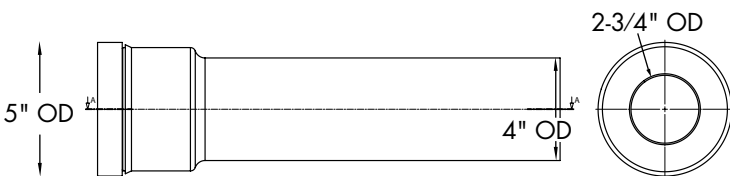
IS A CONDENSATE NEUTRALIZER NECESSARY?

Yes, typical condensate from a condensing boiler has a pH level of 3.2 to 4.5, which is acidic enough to leave stains, kill shrubs, and eat away cast iron drainage systems. It is important to include these systems when designing and plumbing your project.



SANINEUTRAL • PART N° 043

Extension pipe PART N° 030



The 18" extension pipe was designed with the idea to simplify the installation process making it easier to **hide the pump and plumbing behind the wall**. It has an inner gasket which connects to the rear spigot of the Saniflo toilet creating a sealed connection.

The diameter of the extension pipe is 4" (5" bell housing). **It comes with a paintable decorative trim** that surrounds the pipe and provides a perfect finish.

* Suitable to be used with the Saniaccess3, Saniplus, Sanibest Pro and Saniaccess2 systems





Sanialarm PART N° 050

This solution alerts homeowners of high water levels inside the pump. The Sanialarm helps prevent inappropriate use and encourages prompt intervention.



The Sanialarm has a level pressure switch that triggers an alarm fixed on the top of the unit if the volume of water exceeds the maximum allowed level. The alarm emits a continuous 80 dB warning sound until it is switched off or the problem is rectified. The Sanialarm is battery operated and can be installed on most Saniflo macerating units and drain water pumps.

* Suitable for use with Saniplus, Sanibest Pro, Sanipack, Sanigrind Pro and Sanivite

- 1  Install two AA batteries (not included)
- 2  Drill a 3/8" diameter hole on top of the case where indicated.
- 3  Insert the tube and position the Sanialarm on top.
- 4  Turn the switch to the ON position.

Descaler PART N° 052

Prolongs the life of all Saniflo pumps by cleaning and disinfecting. This special formula is perfectly designed for cleaning and descaling the heart of your system and its internal components.

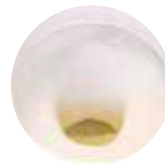
- Specifically created for use with Saniflo products
- Laboratory formulated with phosphoric acid
- Concentrated solution for optimum cleaning power
- Regular usage prolongs unit life and maintains efficiency
- Harmless to septic tank operation



Disconnect from the main power.



Pour the solution inside the bowl and flush the toilet once.



Let the solution sit inside the toilet and pump for a couple of hours.



Connect to main power supply and flush the toilet a couple of times.



CONNECTIONS



TOILET



BATHTUB



DISHWASHER



SINK



SHOWER



BAR SINK



LAUNDRY SINK



WASHING MACHINE

APPLICATIONS



RESIDENTIAL



PUMPING DISTANCE

36 Ft



328 Ft



SANICUBIC[®] 1 Grinder

INSTALLATION ABOVE GROUND



Example of installation. Follow local plumbing codes for actual install.

INSTALLATION BELOW THE GROUND



Example of installation. Follow local plumbing codes for actual install.

The **Sanicubic 1** is a **1 HP heavy duty simplex grinder system** used to pump away wastewater from several bathrooms and fixtures from an entire building structure. This system is able to discharge the waste up to **36 feet vertical and/or 328 feet horizontal**. It incorporates a grinder system which is ideal for uncontrolled environments in both residential and commercial applications (ie. rental unit, offices, warehouses, etc). The Sanicubic 1 is designed to **handle sanitary products** that may have been flushed down the toilet; such may consist of condoms, sanitary napkins, q-tips, dental floss, etc.

- **Discharges the waste through a 1-1/2" rigid pipe.** A built-in non-return valve is included on the internal discharge pipe.
- Has been designed with a **1-1/2" vent connection** on the top of the enclosure. All plumbing codes require connection to a vent system. Please note that the vent system should be a two-way air vent as air needs to freely flow both ways. Note: The use of mechanical vents, air admittance valves or similar devices is not permitted.
- The Sanicubic 1 is **IP68 rated for possible submergence** which eliminates any potential water damage to internal components. It comes equipped with an external control panel as well as a visual and audible alarm system (15 Ft long wire).
- The pump discharges wastewater from **several toilets, sinks, bath/showers, urinals and even washing machines**. The wastewater from other sanitary fixtures is drained into the Sanicubic 1 via four 1-1/2" or 4" inlets on either side of the housing and on top of the enclosure. Note that when draining wastewater into the pump through either of the side inlets, an external check valve (not supplied) has to be installed. Also, note that there should be a minimum 10" height difference between the base of the Sanicubic 1 to the bottom of the shower/bathtub drain or to the base of the toilet.



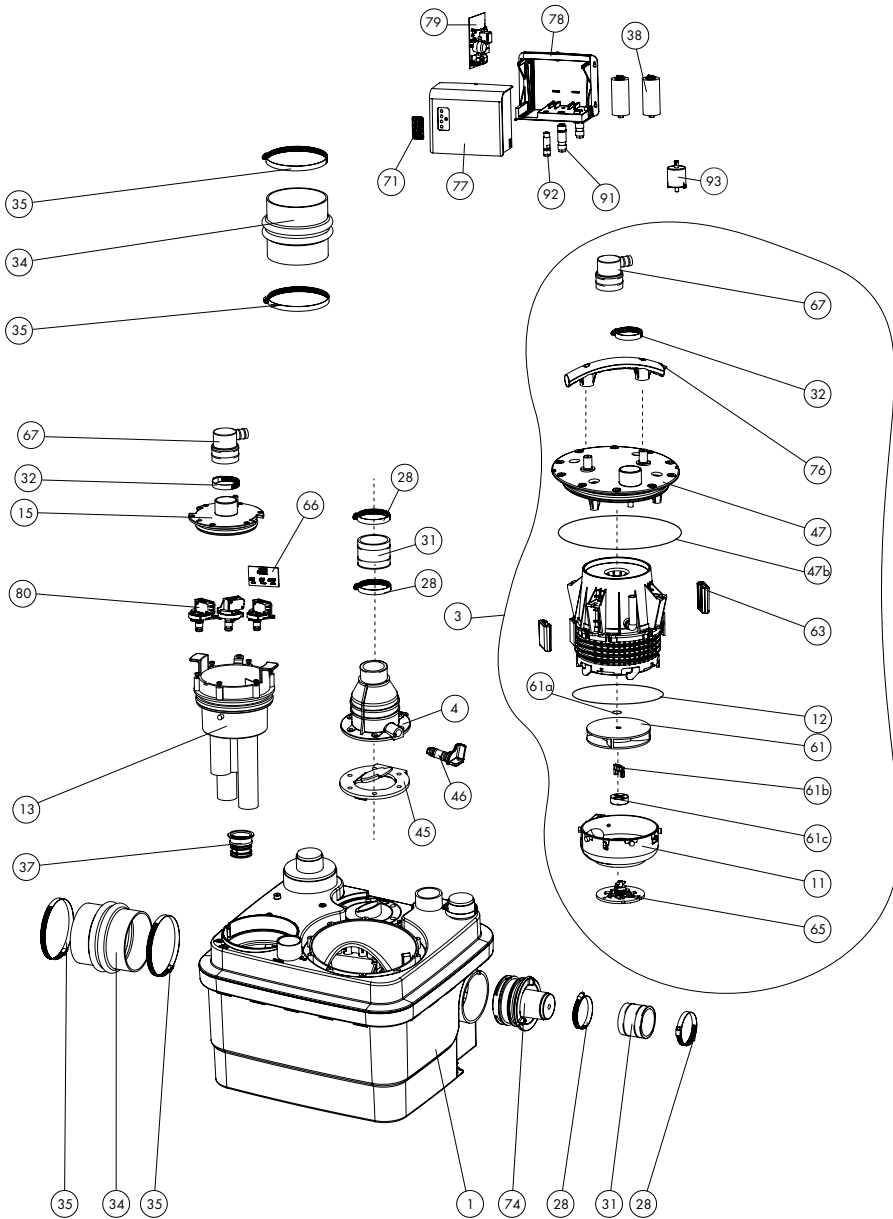
Scan with your smart phone to watch a clip of the Sanicubic 1 system

PRE-ASSEMBLED GRINDING SYSTEM CAPABLE OF DISCHARGING WASTEWATER FROM MULTIPLE FIXTURES

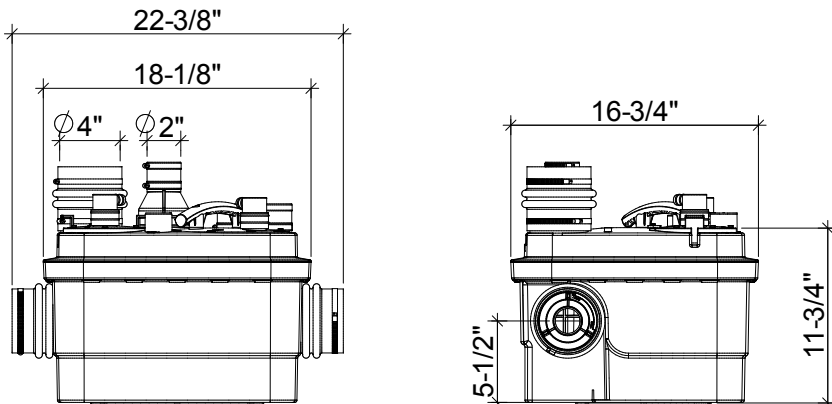
System can be installed **above the floor, inside a pit or even retrofitted into an existing sewage ejector** basin (at least 24" diameter). Powerful 1 HP motor for absolute reliability and efficiency that can handle up to **50 gallons per minute from several fixtures**.

System is capable of handling **multiple fixtures simultaneously**. New grinding technology can handle feminine hygiene products and eliminates clogging issues common with sewage ejector stations.

**PLEASE CALL US TOLL-FREE AT
800-571-8191 (US) / 800-363-5874 (CDN)
TO PURCHASE PARTS REFERENCED BELOW**



DIMENSIONAL DRAWINGS



Make the impossible possible with Saniflo!

TECHNICAL SPECIFICATIONS

Pump type:

Grinder

Electrical:

120 V – 60 Hz / 4.5 Amps (Max)
220 240 V – 60 Hz (Part# 069)

Motor:

1 HP oil-filled thermally protected motor

Capacitor rating:

60 microfarad

Operating Temperature:

158°F

Power cord length:

80 inches

Noise level:

≤ 68 dBA (Lp) (measured at 3 ft.)

Discharge pipe diameter:

1-1/2"

Discharge rate at 36 ft:

26 GPM

Discharge rate at 3 ft:

50 GPM

Shut-off head:

45 ft.

Normal running time:

Depends on number of fixtures

Capacity:

8.5 gallons / 32.2 liters

Inlets:

1-1/2" or 4" (side), 1-1/2" or 4" (top)

Method of activation:

Pressure switch, Circuit board

Shower/bathtub base height:

10" min

Weight:

50 lbs / 22.7 kg

Certifying agencies:

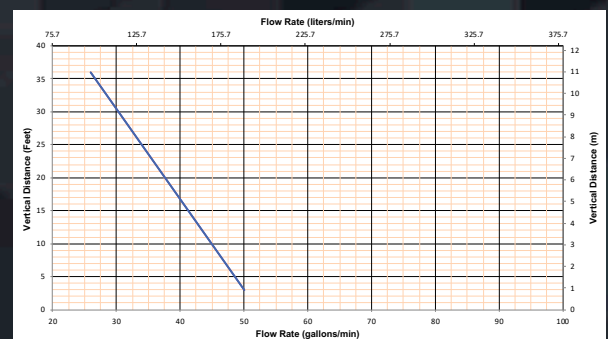
CSA (IPC, NSPC), IAPMO (UPC)

Recommended accessories:

Descaler

Connections:

Toilet, sink, shower/bathtub,
washing machines (direct connection), etc.



CONNECTIONS



TOILET



BATHTUB



DISHWASHER



SINK



SHOWER



BAR SINK



LAUNDRY SINK



WASHING MACHINE

APPLICATIONS



COMMERCIAL



PUMPING DISTANCE

36 Ft



328 Ft



SANICUBIC[®] 2 Grinder

INSTALLATION ABOVE GROUND



Example of installation. Follow local plumbing codes for actual install.

INSTALLATION BELOW THE GROUND



Example of installation. Follow local plumbing codes for actual install.

The **Sanicubic 2** is a **1 HP heavy duty duplex grinder system** used to pump away wastewater from several bathrooms and fixtures from an entire building structure. This system is able to discharge the waste up to **36 feet vertical and/or 328 feet horizontal**. It incorporates a **grinder system** which is ideal for uncontrolled environments in both residential and commercial applications (ie. rental unit, offices, warehouses, etc). The Sanicubic 2 is designed to **handle sanitary products** that may have been flushed down the toilet; such may consist of condoms, sanitary napkins, q-tips, dental floss, etc.

- **Discharges the waste through a 1-1/2" rigid pipe.** A couple of non-return valves are included on the internal discharge pipe connection of this system.
- Has been designed with a **1-1/2" vent connection** on top of the enclosure. All plumbing codes require connection to a vent system. Please note that the vent system should be a two-way air vent as air needs to freely flow both ways. Note: The use of mechanical vents, air admittance valves or similar devices is not permitted.
- **The Sanicubic 2 is IP68** rated for possible submergence which eliminates any potential water damage to internal components. It comes equipped with an external control panel as well as a visual and audible alarm system (15 Ft long wire).
- The pump discharges wastewater from **several toilets, sinks, bath/showers, urinals and even washing machines**. The wastewater from other sanitary fixtures is drained into the Sanicubic 2 **via five 1-1/2" or 4" inlets** on either side of the housing and on top of the enclosure. Note that when draining waste water into the pump through either of the side inlets, an external check valve (not supplied) has to be installed. Also, note that there should be a minimum 10" height difference between the base of the Sanicubic 2 to the bottom of the shower/bathtub drain or to the base of the toilet.



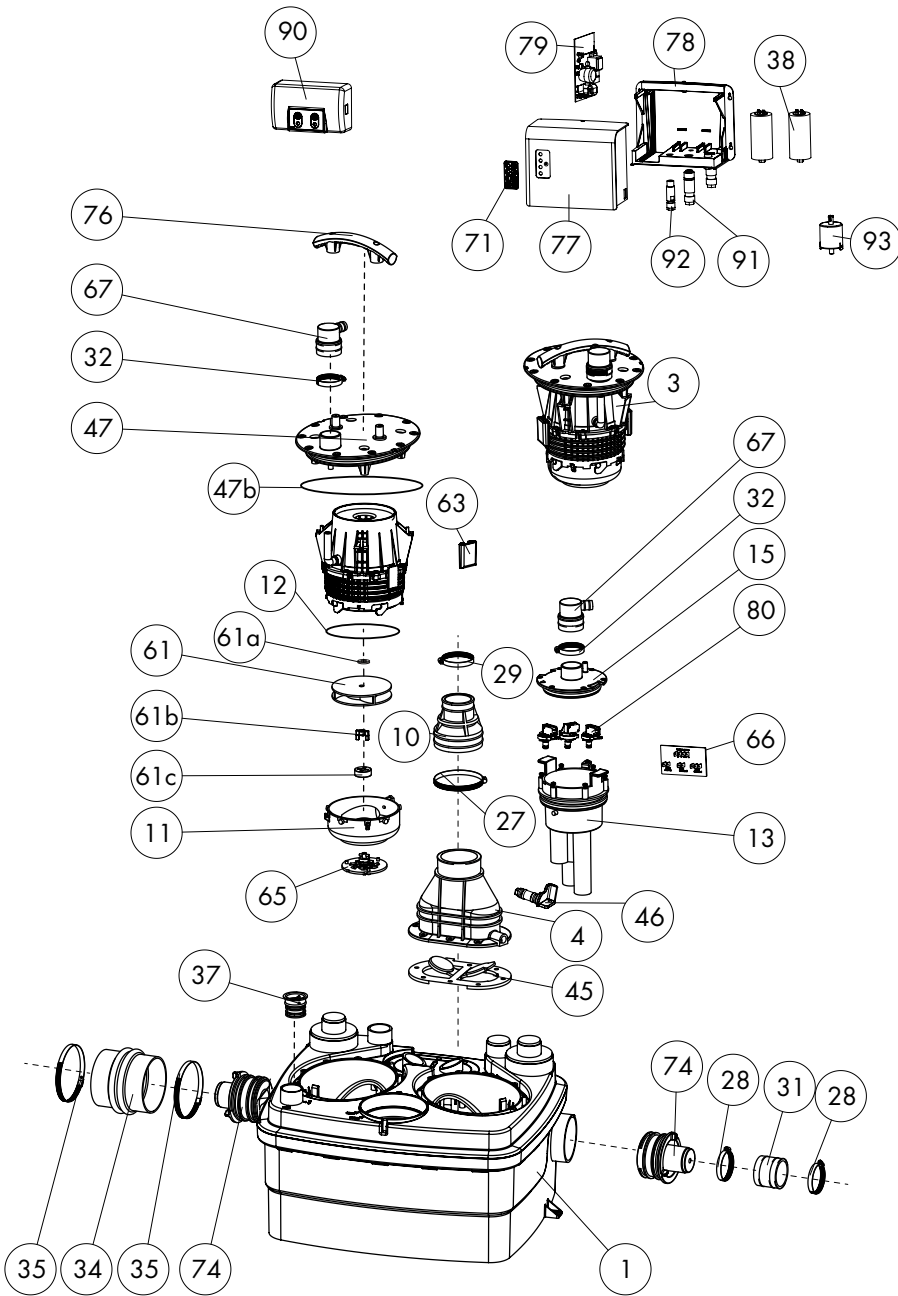
DUPLEX GRINDING SYSTEM CAPABLE OF DISCHARGING WASTEWATER FROM MULTIPLE FIXTURES FROM ENTIRE BUILDING STRUCTURES

Two powerful 1 HP motors for absolute reliability and efficiency. New grinding technology eliminates clogging issues found on sewage ejector stations as **it can handle feminine hygiene products**.

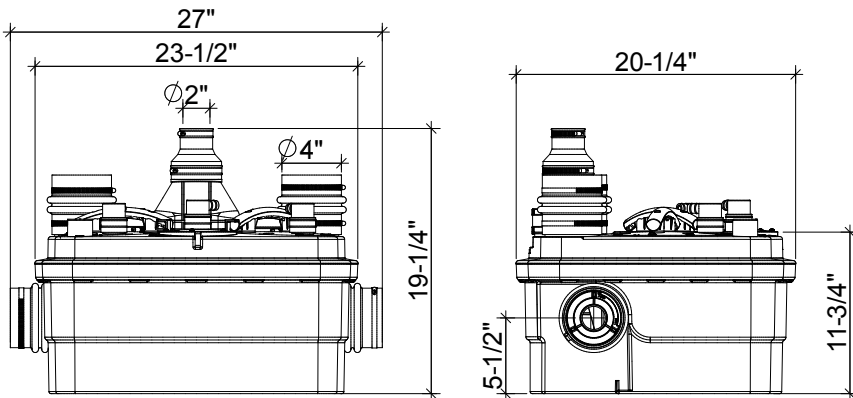
Smart-pump technology allows both pumps to work simultaneously if the incoming rate is higher than the discharge rate of the single pump. The **discharge rate increases roughly 80%** until the condition is alleviated.

System is capable of handling **multiple fixtures at the same time** as it can handle up to **90 gallons per minute**.

**PLEASE CALL US TOLL-FREE AT
800-571-8191 (US) / 800-363-5874 (CDN)
TO PURCHASE PARTS REFERENCED BELOW**



DIMENSIONAL DRAWINGS



Make the impossible possible with Saniflo!

TECHNICAL SPECIFICATIONS

Pump type:

Grinder

Electrical:

220-240 V (208V min) - 60 Hz / 13 Amps (Max)

Motor:

2 x 1 HP oil-filled thermally protected motor

Capacitor rating:

2 x 30 microfarad

Operating Temperature:

158°F

Power cord length:

72 inches

Noise level:

≤ 68 dBA (Lp) (measured at 3 ft.)

Discharge pipe diameter:

1-1/2"

Discharge rate at 36 ft:

38 GPM (Both motors in operation)

Discharge rate at 3 ft:

90 GPM (Both motors in operation)

Shut-off head:

45 ft.

Normal running time:

Depends on number of fixtures

Capacity:

12.4 gallons / 47 liters

Inlets:

1-1/2" or 4" (side), 1-1/2" or 4" (top)

Method of activation:

Pressure switch, Circuit board

Shower/bathtub base height:

10" min

Weight:

77 lbs / 35 kg

Certifying agencies:

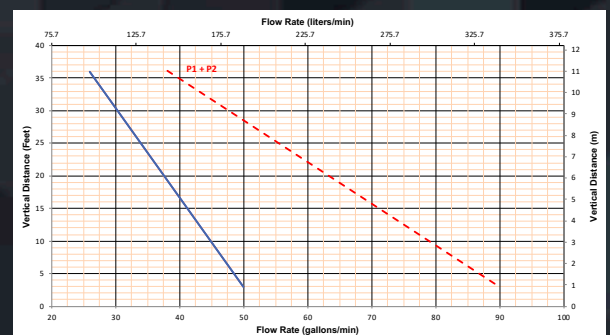
CSA (IPC, NSPC), IAPMO (UPC)

Recommended accessories:

Descaler

Connections:

Toilet, sink, shower/bathtub, washing machines (direct connection), etc.



SANICUBIC® 1 VX Vortex

CONNECTIONS



TOILET



BATHTUB



DISHWASHER



SINK



SHOWER



BAR SINK



LAUNDRY SINK



WASHING MACHINE

APPLICATIONS



RESIDENTIAL



Example of installation. Follow local plumbing codes for actual install.

The **Sanicubic 1 VX** is a **1.5 HP heavy duty simplex vortex system** used to pump away waste water from several bathrooms and fixtures from an entire building structure. This system is able to discharge the waste up to **36 feet vertical and/or 328 feet horizontal using 2" pipe** or up to **20 feet vertical and/or 1640 feet horizontal using a 4" pipe**. This lift station is ideal for uncontrolled environments in both residential and commercial applications (ie. rental unit, offices, warehouses, etc). The Sanicubic 1 VX incorporates a vortex impeller capable of handling up to 2" solids.

- **Discharges the waste through either a 2" or 4" rigid pipe.** A built-in non-return valve is included on the internal discharge pipe.
- Has been designed with a **2-1/2" vent connection** on the top of the enclosure. All plumbing codes require connection to a vent system. Please note that the vent system should be a two-way air vent as air needs to freely flow both ways. Note: The use of mechanical vents, air admittance valves or similar devices is not permitted.
- The Sanicubic 1 VX is IP68 rated for possible submergence which eliminates any potential water damage to internal components. It comes equipped with an external control panel as well as a visual and audible alarm system (15 Ft long wire).
- The pump discharges wastewater from **several toilets, sinks, bath/showers, urinals and even washing machines**. The wastewater from other sanitary fixtures is drained into the Sanicubic 1 VX via three 1-1/2" or 4" inlets on either side of the housing and on top of the enclosure. Note that when draining waste water into the pump through either of the side inlets, an external check valve (not supplied) has to be installed. Also, note that there should be a minimum 11" height difference between the base of the Sanicubic 1 VX to the bottom of the shower/bathtub drain or to the base of the toilet.

PUMPING DISTANCE

2" Pipe 36 Ft



4" Pipe 20 Ft



PRE-ASSEMBLED VORTEX SYSTEM CAPABLE OF DISCHARGING WASTEWATER FROM MULTIPLE FIXTURES

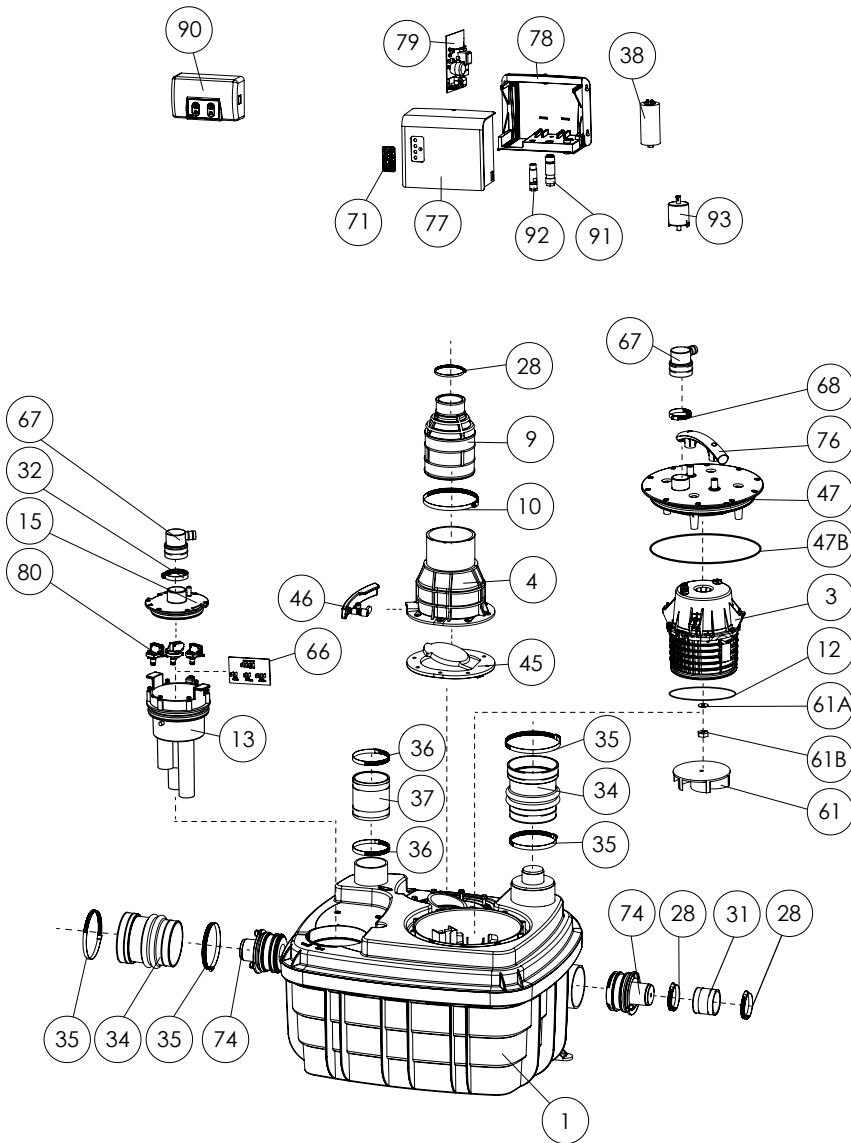
System can be installed **above the floor or inside a pit**. Powerful 1.5 HP motor for absolute reliability and efficiency that can handle up to **137 gallons per minute from several fixtures**.

System is capable of handling **multiple fixtures simultaneously**.

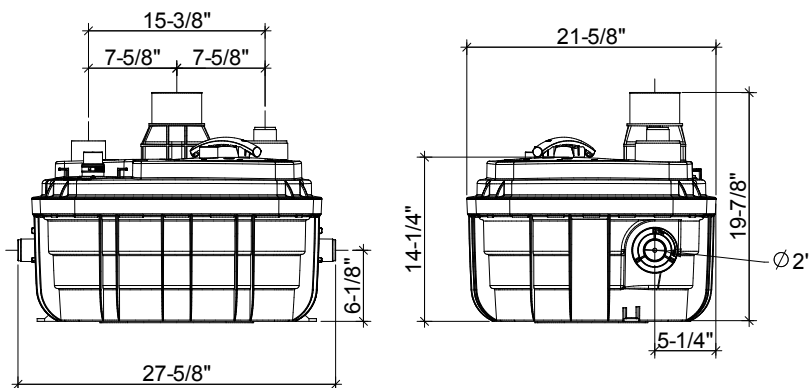
SANICUBIC 1VX • PART N° 049



**PLEASE CALL US TOLL-FREE AT
800-571-8191 (US) / 800-363-5874 (CDN)
TO PURCHASE PARTS REFERENCED BELOW**



DIMENSIONAL DRAWINGS



Make the impossible possible with Saniflo!

TECHNICAL SPECIFICATIONS

Pump type:

Vortex

Electrical:

220-240 V (208V min) - 60 Hz / 12 Amps (Max)

Motor:

1.5 HP oil-filled thermally protected motor

Capacitor rating:

30 microfarad

Operating Temperature:

158°F

Power cord length:

98 inches

Noise level:

≤ 70 dBA (Lp) (measured at 3 ft.)

Discharge pipe diameter:

2" or 4"

Discharge rate at 36 ft (2"):

26 GPM

Discharge rate at 3 ft (2"):

125 GPM

Discharge rate at 20 ft (4"):

90 GPM

Discharge rate at 3 ft (4"):

137 GPM

Shut-off head:

43 ft.

Normal running time:

Depends on number of fixtures

Capacity:

15.9 gallons / 60.2 liters

Inlets:

1-1/2" or 4" (side), 1-1/2" or 4" (top)

Method of activation:

Pressure switch, Circuit board

Shower/bathtub base height:

11" min

Weight:

68 lbs / 30.8 kg

Certifying agencies:

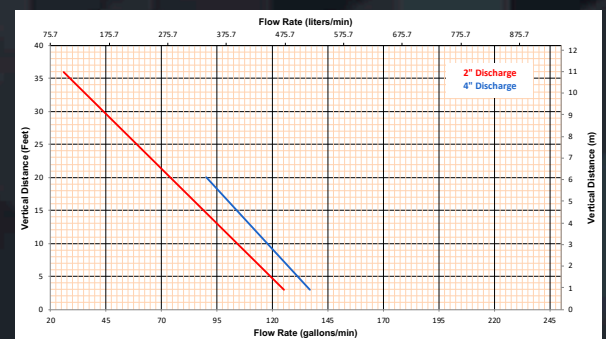
CSA (IPC, NSPC), IAPMO (UPC)

Recommended accessories:

Descaler

Connections:

Toilet, sink, shower/bathtub, washing machines (direct connection), etc.



CONNECTIONS



TOILET



BATHTUB



DISHWASHER



SINK



SHOWER



BAR SINK



LAUNDRY
SINK

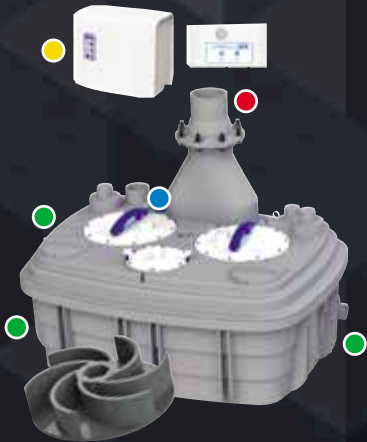


WASHING
MACHINE

APPLICATIONS



COMMERCIAL



PUMPING DISTANCE

2" Pipe 36 Ft



4" Pipe 20 Ft



SANICUBIC[®] 2 VX Vortex



Example of installation. Follow local plumbing codes for actual install.

The **Sanicubic 2 VX** is a **1.5 HP heavy duty duplex vortex system** used to pump away waste water from several bathrooms and fixtures from an entire building structure. This system is able to discharge the waste up to **36 feet vertical and/or 328 feet horizontal using 2" pipe** or up to **20 feet vertical and/or 1640 feet horizontal using a 4" pipe**. This lift station is ideal for uncontrolled environments in both residential and commercial applications (ie. rental unit, offices, warehouses, etc). The Sanicubic 2VX incorporates a couple of vortex impellers capable of handling up to 2" solids.

- **Discharges the waste through either a 2" or 4" rigid pipe.** A couple of non-return valves are included on the internal discharge pipe connection of this system.
- Has been designed with a **2-1/2" vent connection** on top of the enclosure. All plumbing codes require connection to a vent system. Please note that the vent system should be a two-way air vent as air needs to freely flow both ways. Note: The use of mechanical vents, air admittance valves or similar devices is not permitted.
- **The Sanicubic 2VX is IP68** rated for possible submergence which eliminates any potential water damage to internal components. It comes equipped with an external control panel as well as a visual and audible alarm system (15 Ft long wire).
- The pump discharges wastewater from **several toilets, sinks, bath/showers, urinals and even washing machines**. The wastewater from other sanitary fixtures is drained into the Sanicubic 2VX **via five 1-1/2" or 4" inlets** on either side of the housing and on top of the enclosure. Note that when draining waste water into the pump through either of the side inlets, an external check valve (not supplied) has to be installed. Also, note that there should be a minimum 12" height difference between the base of the Sanicubic 2 to the bottom of the shower/bathtub drain or to the base of the toilet.



PRE-ASSEMBLED VORTEX SYSTEM CAPABLE OF DISCHARGING WASTEWATER FROM MULTIPLE FIXTURES

Two powerful 1.5 HP motors for absolute reliability and efficiency. New vortex technology eliminates clogging issues found on sewage ejector stations as **it can handle feminine hygiene products**.

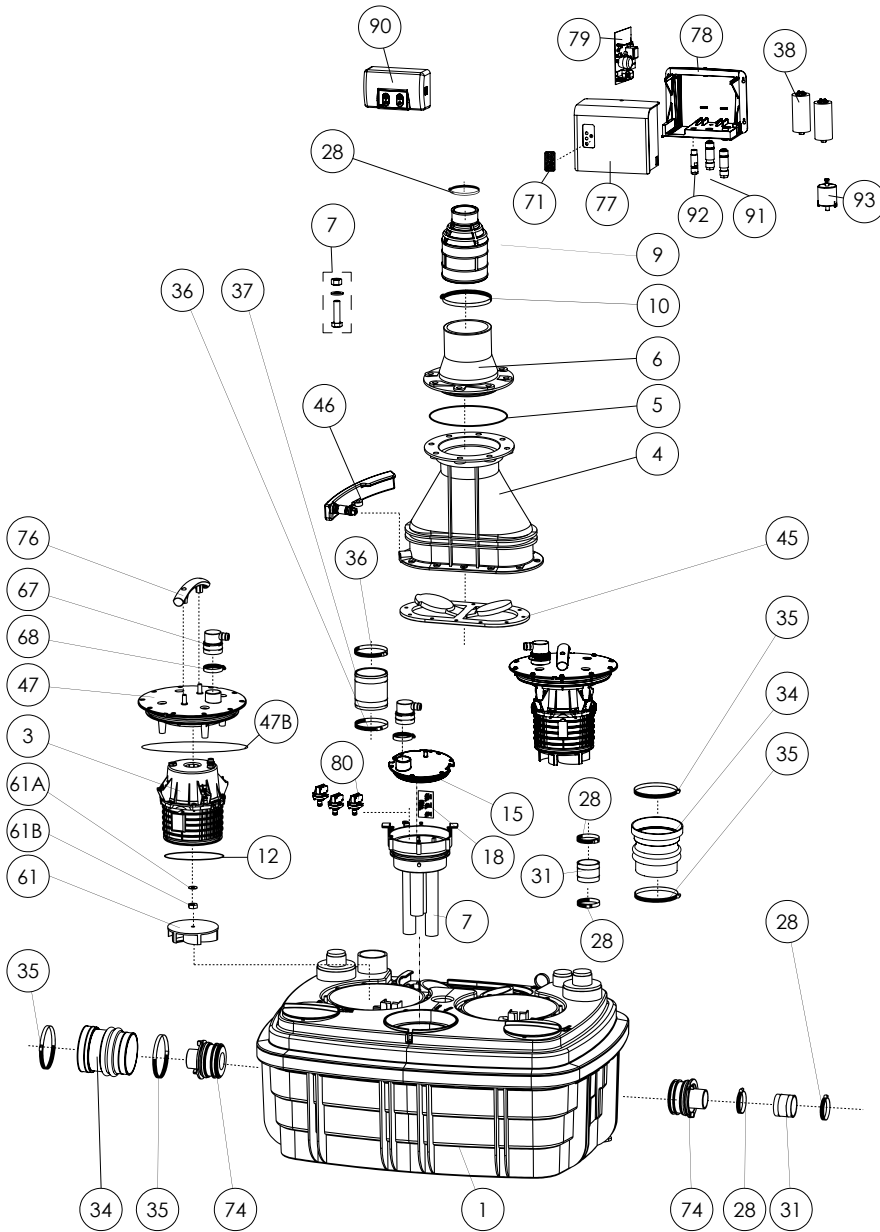
Smart-pump technology allows both pumps to work simultaneously if the incoming rate is higher than the discharge rate of the single pump. The **discharge rate increases** until the condition is alleviated.

System is capable of handling **multiple fixtures at the same time** as it can handle up to **250 gallons per minute**.

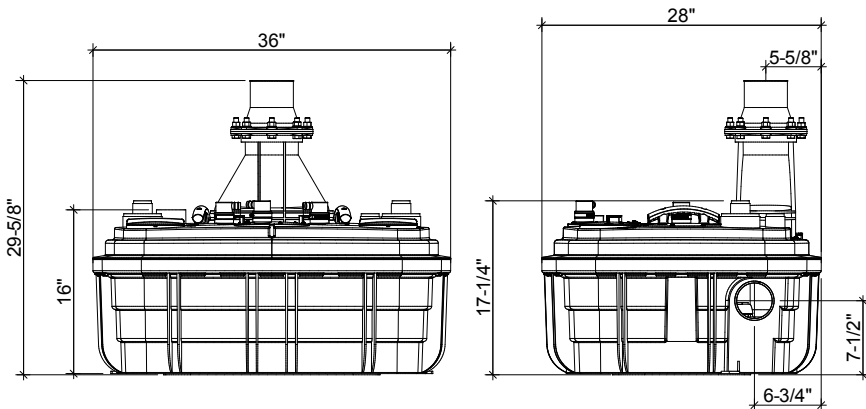
SANICUBIC 2VX • PART N° 099



**PLEASE CALL US TOLL-FREE AT
800-571-8191 (US) / 800-363-5874 (CDN)
TO PURCHASE PARTS REFERENCED BELOW**



DIMENSIONAL DRAWINGS



Make the impossible possible with Saniflo!

TECHNICAL SPECIFICATIONS

Pump type:

Vortex

Electrical:

220-240 V (208V min) - 60 Hz / 12 Amps (Max)

Motor:

2 x 1.5 HP oil-filled thermally protected motor

Capacitor rating:

2 x 30 microfarad

Operating Temperature:

158°F

Power cord length:

98 inches

Noise level:

≤ 70 dBA (Lp) (measured at 3 ft.)

Discharge pipe diameter:

2" or 4"

Discharge rate at 36 ft (2"):

40 GPM (Both motors in operation)

Discharge rate at 3 ft (2"):

145 GPM (Both motors in operation)

Discharge rate at 20 ft (4"):

110 GPM (Both motors in operation)

Discharge rate at 3 ft (4"):

250 GPM (Both motors in operation)

Shut-off head:

43 ft.

Normal running time:

Depends on number of fixtures

Inlets:

1-1/2" (side), 4" vent (top)

Method of activation:

Pressure switch/circuit board

Weight:

223 lbs / 101.2 kg

Certifying agencies:

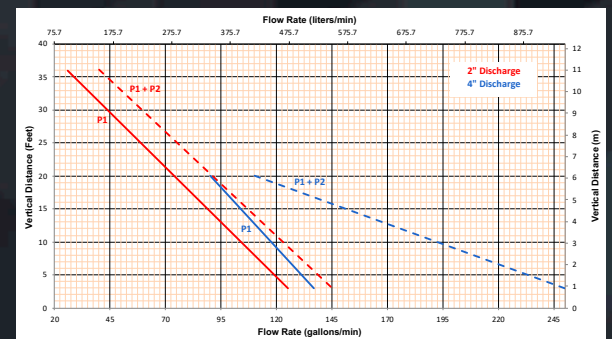
CSA (IPC, NSPC), IAPMO (UPC)

Recommended accessories:

Descaler, Sanialarm

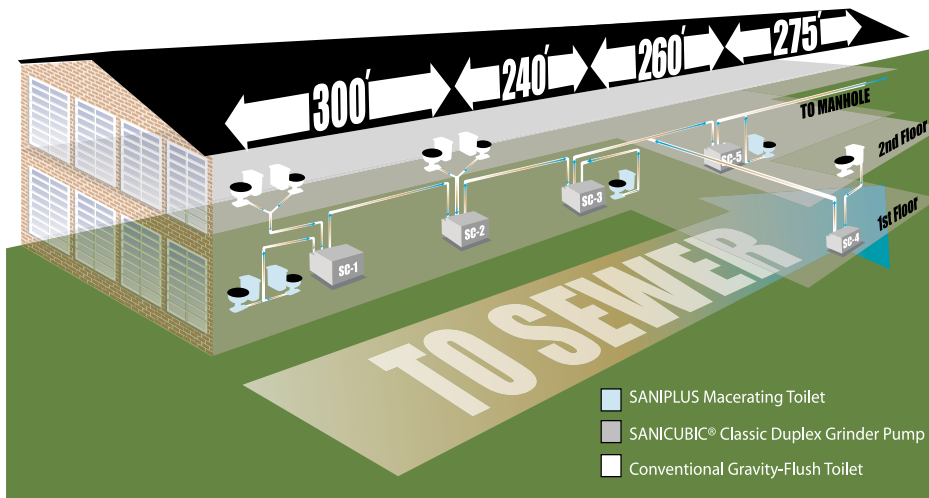
Connections:

Toilets, tubs and showers, sinks, washing machines, dishwashers, etc.



SANICUBIC[®] 2 Factory Warehouse

Saniflo overcame the lack of drainage and long sewer line in the historic Middletown facility by using an innovative system to pump and process waste without digging.



CHALLENGE

- 1 When the building was constructed in the early 1900s, the sewage was disposed in the nearby river which is now prohibited.
- 2 Breaking the concrete to install a pump system was not possible as the land was too contaminated.
- 3 The distance for the waste to travel using traditional gravity was too great as it would require more than 20 feet of drop.

SOLUTION

- 1 Sanicubic 2 systems were installed to grind the waste and pump it throughout the building into a manhole.
- 2 Installation above-the-ground eliminated the hassle of breaking concrete.
- 3 The Saniflo systems saved the city money during the restoration process while also reducing the time spent on this project.

Over 900 feet of horizontal discharge pipe throughout the ceiling of the entire building



High ceilings in the building required a strong pumping system



Renovated Remington Rand building in the city of Middletown, CT

Sewage ejector systems were used at the main library to discharge the wastewater from several toilets into their main sewer line. One Sanicubic 2 grinder pump was installed to replace these failing sewage systems.



SFA Saniflo systems replace failing sewage pumps at Fordham university in NYC

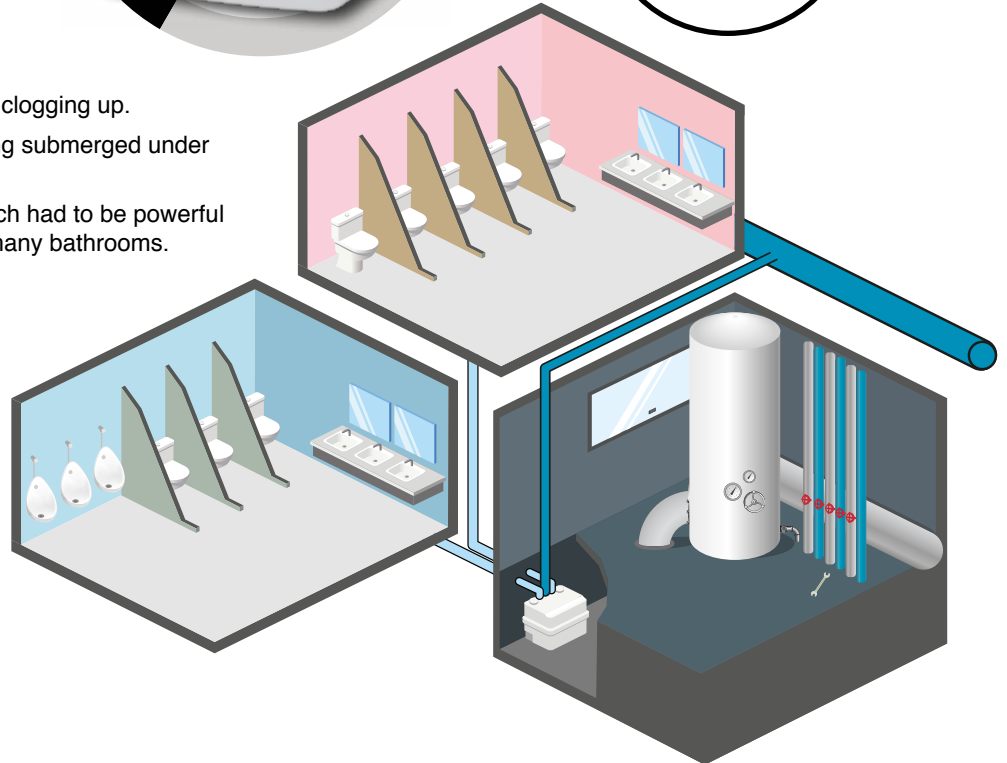


CHALLENGE

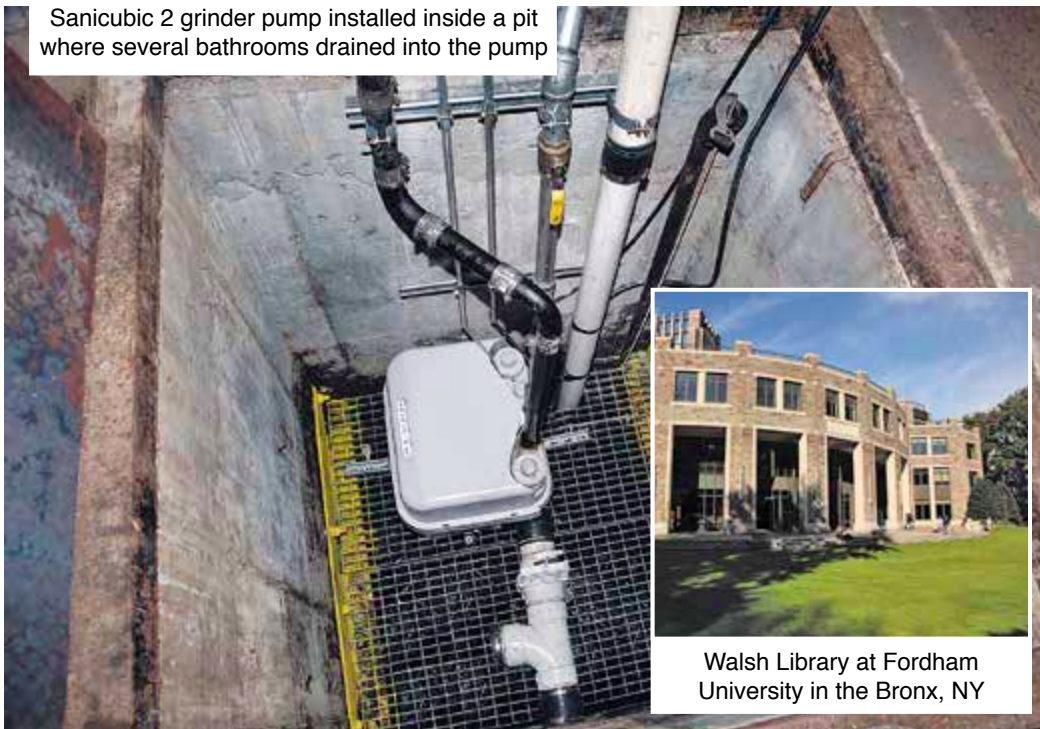
- 1 Existing sewage systems were regularly clogging up.
- 2 Servicing a failed pump was difficult being submerged under several feet of wastewater.
- 3 A new pumping system was needed which had to be powerful enough to handle several fixtures from many bathrooms.

SOLUTION

- 1 Installing a Sanibest Pro in their new commercial restroom solved any potential plumbing-drainage problems.
- 2 Alternating 1 HP grinder pumps eliminated the failures that were a common occurrence with the original sewage pumps.
- 3 One Sanicubic 2 system replaced two sewage pumps as a comparable without any issues.



Sanicubic 2 grinder pump installed inside a pit where several bathrooms drained into the pump



Walsh Library at Fordham University in the Bronx, NY

Plumbing contractor's research helped solve the ongoing sewage system issue.



SANICUBIC 1 MODULAR HOMES

Grinder systems were installed for modular trailers used by construction crews.



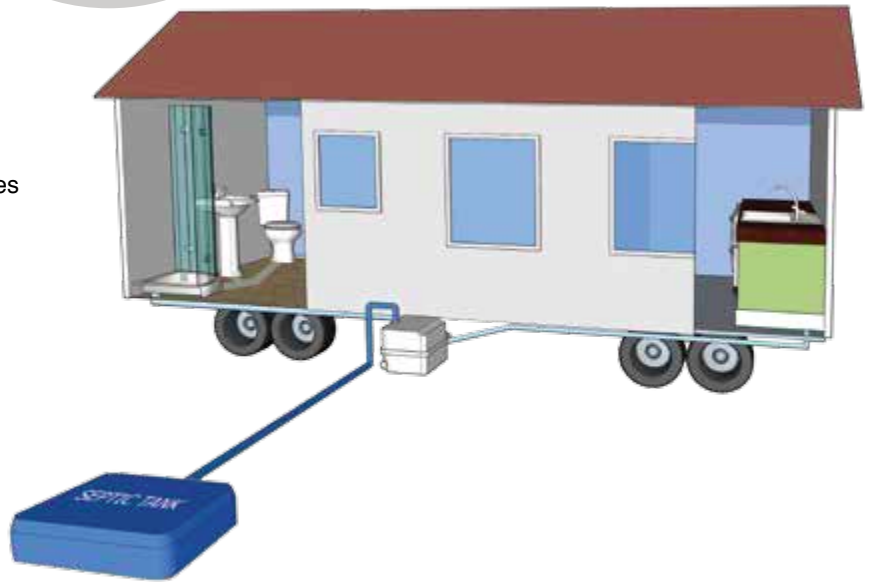
The need for a powerful yet compact evacuation system made the Sanicubic a perfect fit for this application.

CHALLENGE

- 1 More than 300 workers live in modular suites equipped with bathrooms and kitchens.
- 2 An effective solution was needed to remove the wastewater to a holding tank over 200 feet away.
- 3 Cost of excavation and installing large diameter pipes with the required pitch was not cost effective.

SOLUTION

- 1 77 Sanicubic 1 systems were installed to grind and discharge the waste from the entire camp.
- 2 Each Sanicubic 1 was able to pump all fixtures from each modular unit into the holding tank.
- 3 Sanicubic 1's ability to defy gravity allowed the contractor to install the units wherever they were needed.



Temporary camp site with Sanicubic 1 systems.



Drainpipe from trailer leading into a Sanicubic 1 grinding system



Grinder pump and alarm system protected from weather conditions.

Shower enclosures, coupled with Saniflo above-floor plumbing systems, are making outdoor facilities simpler and more affordable.



“The ability to install an outdoor bathroom simply and affordably opens up a whole range of possibilities for customers not wishing to spend a fortune on improving their lifestyles.”

CHALLENGE

- 1 Finding a product to allow the installation of a toilet, sink or shower in the outdoor bathroom enclosure.
- 2 Discovering a way to save money on the installation of the product.
- 3 Handling accidental flushes of feminine products.



SOLUTION

- 1 Sanicubic 1’s above-floor technology defeats the need to break the concrete, by pumping the effluent up to 36 vertical feet and/or 328 horizontal feet to the drain line.
- 2 Without the need to break the concrete, you are saving yourself a mess, as well as, time and money.
- 3 This heavy-duty grinder was chosen for its ability to handle the accidental flushing of sanitary articles, such as feminine products, baby wipes, dental floss, etc.



Outdoor shower stall and bathroom in a typical installation.



shower enclosures exists solely because of Saniflo’s above-floor plumbing products, which make installing a bathroom anywhere simple and affordable, explains Dawn Samuels.



The one-horsepower Sanicubic 1 grinding system handles wastewater from a toilet, sink or shower in the outdoor enclosure



The ability to install an outdoor bathroom simply and affordably opens up a whole range of possibilities for customers not wishing to spend a fortune on improving their lifestyles.

SANICUBIC 1 VESSEL

Saniflo Sanicubic 1 lift station provides effective, cost-saving plumbing solution for research vessel in the Caribbean.



CHALLENGE

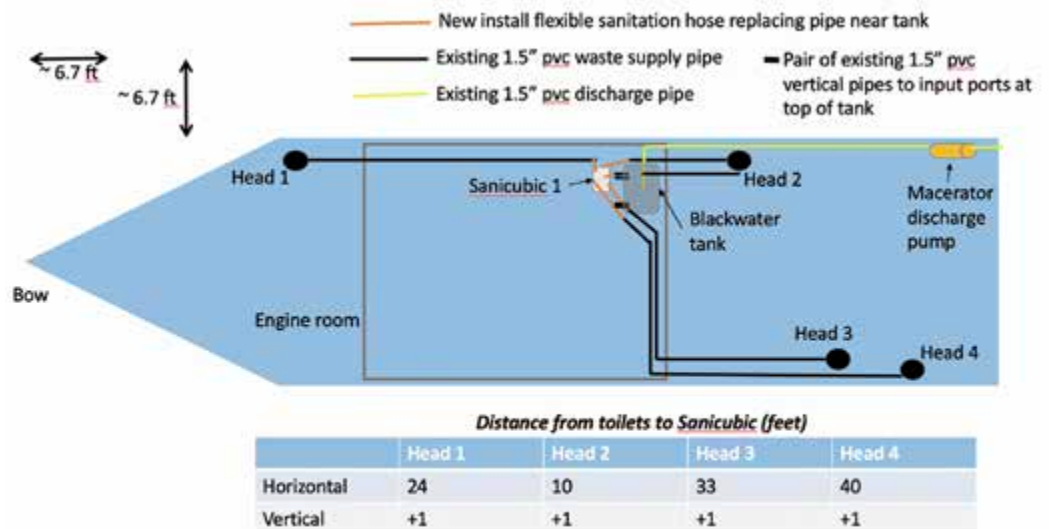
1 Find an effective alternative: a system that could accommodate the vessel's four toilets and with the pumping power to handle the vertical distance from the heads to the vessel's blackwater tank 6 feet above the waste lines.

SOLUTION

- 1** To perform that task, MANTA installed a Sanicubic 1 Simplex Grinder System, donated by Saniflo.
- 2** The Cubic 1 is a one-horsepower motor and a fast-rotating stainless-steel cutting blade, the Sanicubic 1 minimizes the possibility of clogs by quickly reducing solids — including larger sanitary products — into a slurry that can be pumped up to 36 feet vertically or 328 feet horizontally through a 1.5-inch, rigid pipe.



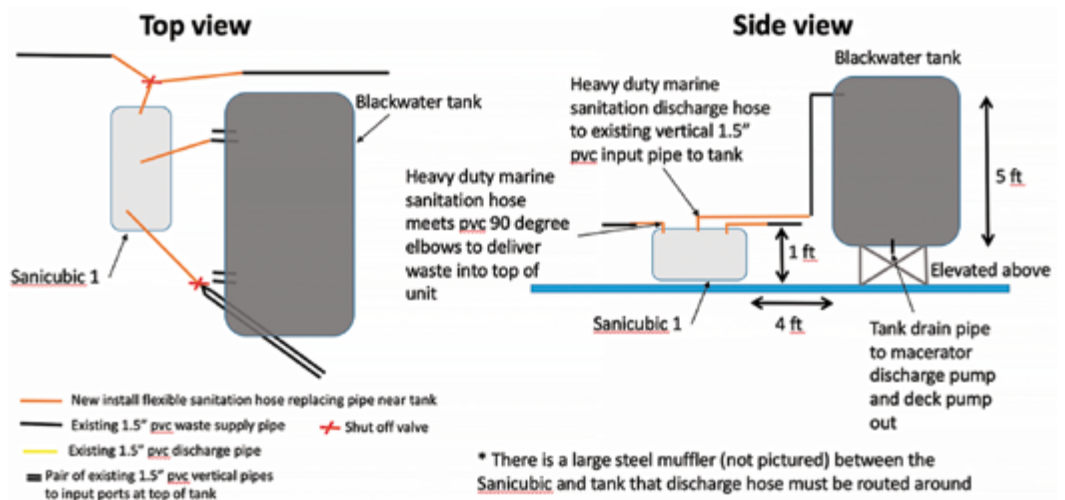
Dr. Rusty Day (left) and installer Ronald Rampersad (right) in the RV MANTA's mechanical room. The Sanicubic being installed is in the foreground, center.



Sanicubic ~ 5 ft below existing input port at top of black water tank



Inside the RV MANTA's mechanical room, showing the Sanicubic 1 and the 1.5-inch PVC piping to two of the Sanicubic 1's four input ports.



Oneonta Assembly of God Church was facing the specter of an expensive plumbing installation for its new building expansion.

Fortunately, a good Samaritan plumber proposed and installed a duplex grinding solution from Saniflo that saved the house of worship nearly \$30,000.



A Plumbing Miracle: Grinder Pump Saves Church \$30K



CHALLENGE

- 1 Find a product that would eliminate any smell that you would get with a sewage ejector
- 2 A product capable of handling the heavy traffic and sanitary napkins that can be found in commercial applications
- 3 Lowering the cost of installation and digging a pit

SOLUTION

- 1 The duplex grinder system can handle waste matter from multiple plumbing fixtures without the need to store sewage – eliminating the smell that comes with storing sewage.
- 2 Capable of handling anything accidentally flushed, such as feminine products, baby wipes, dental floss, condoms, etc.
- 3 Is installed directly on the floor. The compact device requires no costly digging, lowering the cost exponentially. Sanicubic saves money, mess and time.

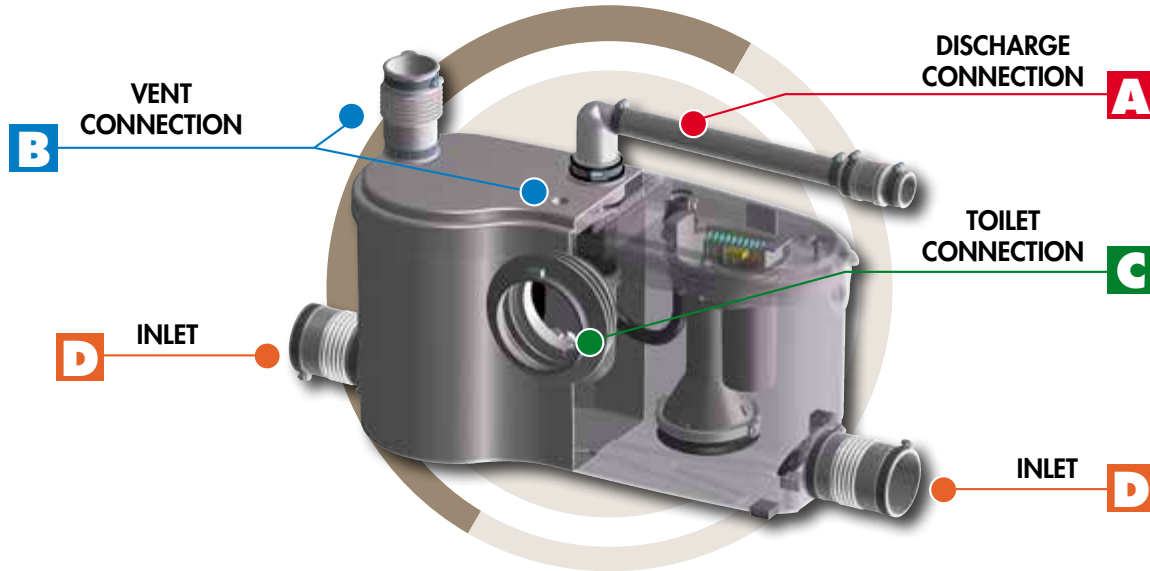
The Sanicubic 2 grinding system from Saniflo pre-installation in the underground pit.



Rev. John Grenier, Pastor of Oneonta Assembly of God Church, stands in front of the church sign.

EXTERNAL UNITS

INSTALLATION TIPS AND GUIDELINES



- ✓ System comes equipped with a **plastic discharge elbow with built-in check valve**, a **rubber step-down fitting** to adapt to the discharge pipe and all clamps needed to secure this connection. (different design for Saniplus and Sanipack)
- ✓ First horizontal run **cannot exceed more than 24"** prior to the vertical run. It's also not recommended to install long diagonal runs.
- ✓ It is recommended to install a **ball-valve along the discharge line for easy removal and service** of the pump.
- ✓ It's recommended to have **pipe supports** throughout the discharge run. **Insulate the pipe** if exposed to freezing conditions.
- ✓ After the vertical run, the discharge pipe has to be sloped **1/4" per foot** until drained into the main sewer line. **After the second horizontal run, the system cannot pump vertically upwards again.**
- ✓ To prevent backflow, the discharge line has to be connected to the main drain line **through the top of the pipe using a wye fitting.**
- ! When creating a 90 degree turn, install a **long sweeping elbow or use two 45-degree elbows back-to-back** to create a long radius and smooth turn. Do not use many elbows to keep the head loss at minimum.
- ! When pumping directly downwards more than 9 feet, an **anti-siphon valve has to be installed at the highest point** to eliminate siphonage in the pipe.



- ✓ The **1/2" breather hole located on the lid needs to be capped** with the provided plug to prevent any odors. (not needed on Saniaccess range)
- ! A **rubber coupling along with clamps is provided** to connect the 1-1/2" vent pipe. **Vent needs to have air flowing freely in both directions.** No type of one-way vents, mechanical vents, studor vents or similar devices are allowed.



- ✓ A **rubber flexible coupling along with a clamp and cable tie are provided** to connect the spigot of the bowl to the pump. (different connection for Sanipack and Sanigrind Pro)
- ✓ Our extension pipe can be installed between the bowl and pump to **conceal the pipes and pump behind the wall.** (not suitable for Sanipack or Sanigrind Pro systems)
- ✓ It is **recommended to have an access panel** for easy-access to the pipes, water valve, GFCI plug and pump whenever the system is not in the same room.
- ! The 3" or 4" sewer pipe exiting the toilet system **must enter the pump via a minimum 1/4" per foot gravity fall.** It is recommended for the toilet to be close to the system. (For Sanipack and Sanigrind Pro only)



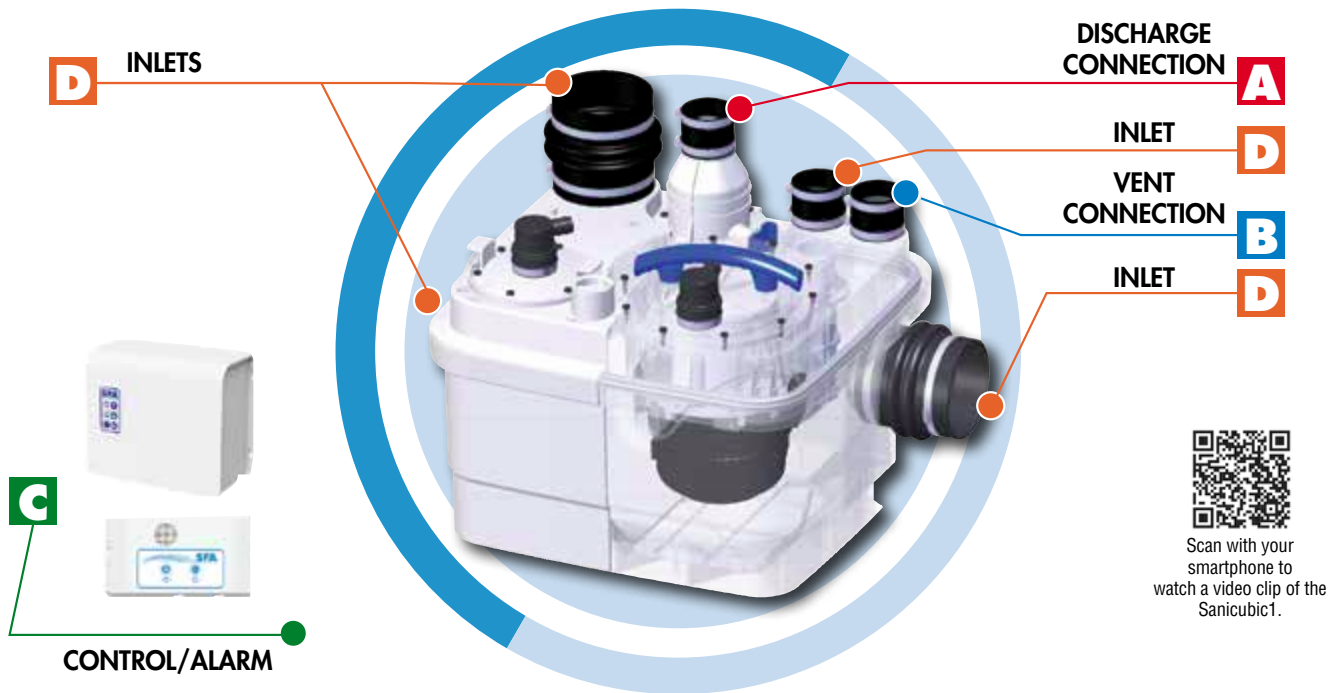
- ✓ **Rubber couplings and clamps are provided** along with inlet plugs in case the side inlets are not used. There should be a **minimum 1/4" per foot gravity fall into the pump.** Internal non-return valves are included on each side inlet. (not on Saniaccess2)
- ! The **shower/bathtub must be raised up either 6-8"** depending on the system (macerator or grinder). It's recommended to install a p-trap underneath each connecting fixture.



For technical questions, please call 800-571-8191 (US) / 800-363-5874 (CDN)

LIFT STATIONS

INSTALLATION TIPS AND GUIDELINES



- ✓ **A rubber coupling along with clamps is provided** to connect to the 1-1/2" discharge pipe. A **non-return valve** (dual valves for Sanicubic 2) is built into the discharge assembly of the pump.
- ✓ The Vortex range comes with similar couplings with different diameters to connect to either a 2" or 4" discharge pipe.
- ✓ It is recommended to install a **ball-valve along the discharge line for easy removal and service** of the pump.
- ✓ When creating a 90 degree turn, install a **long sweeping elbow or use two 45-degree elbows back-to-back** to create a long radius and smooth turn. Do not use many elbows to keep the head loss at minimum.
- ✓ When pumping directly downwards more than 9 feet, an **anti-siphon valve has to be installed at the highest point** to eliminate siphonage in the pipe.
- ✓ It's recommended to have **pipe supports** throughout the discharge run. **Insulate the pipe** if exposed to freezing conditions.
- ! System can handle long vertical and horizontal runs as well as **diagonal uphill runs**. For additional information, contact technical support.
- ! After a vertical run, it is recommended to **slope the pipe 1/4" per foot** until drained into the main sewer line. When pumping long distances, it is recommended to install an **additional check valve at the beginning of the run as well as cleanouts throughout the run**.

- ✓ The **electrical section needs to be vented** with the provided vinyl clear hose. Use clamp to secure and extend as high as possible.
- ! A **rubber coupling along with clamps is provided** to connect to the vent pipe. Any 1-1/2" inlet (2-1/2" for Vortex range) inlet on top can be used as the vent connection. **Vent needs to have air flowing freely in both directions**. No type of one-way vents, mechanical vents, studor vents are allowed.

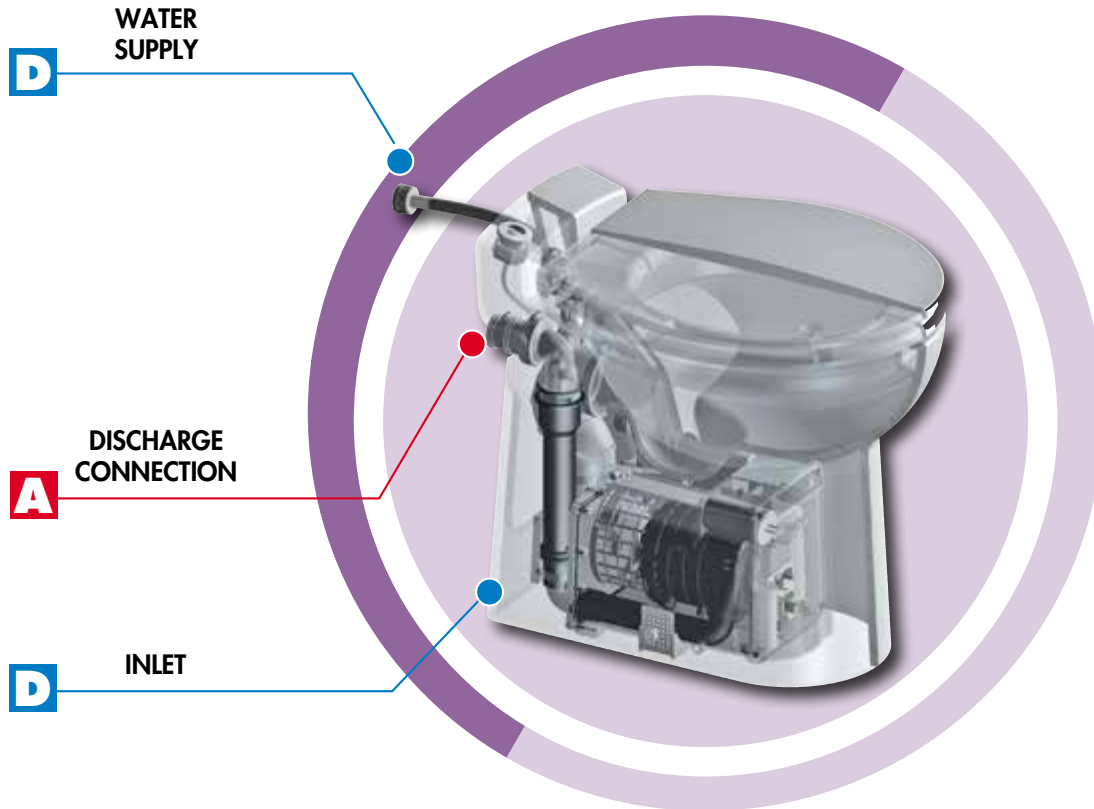
- ✓ **An external control panel and an alarm system** (visual and audible) are provided with the complete Sanicubic range (15 Ft long cable). The electronics are separate from the enclosure as the system is **IP68 rated** for possible submergence.

- ✓ **Plugs are provided** in case side inlets are not used. **4" and 1-1/2" couplings along with clamps** are provided to connect to the drain pipes.
- ! There should be a minimum of **1/4" per foot gravity fall into the pump**. **External check valves must be installed** when using either side inlet.
- ! There should be a **minimum 10" height difference from the bottom of the enclosure to the bottom of the shower/bathtub base, toilet flange or connecting fixture**. The water level inside the pump needs to be this high for the pump to turn on.

For technical questions, please call 800-571-8191 (US) / 800-363-5874 (CDN)

SELF-CONTAINED UNITS

INSTALLATION TIPS AND GUIDELINES



Scan with your smartphone to watch a video clip of the Sanicompact.



- ✓ System comes equipped with a **plastic discharge elbow with built-in check valve**, a **rubber step-down fitting** to adapt to the discharge pipe and all clamps needed to secure this connection.
- ✓ First horizontal run **cannot exceed more than 24"** prior to the vertical run. It's also **not recommended to install diagonal runs**.
- ✓ It is recommended to install a **ball-valve along the discharge line for easy removal and service** of the pump.
- ✓ It's recommended to have **pipe supports** throughout the discharge run. **Insulate the pipe** if exposed to freezing conditions.
- ✓ After the vertical run, the discharge pipe has to be sloped **1/4" per foot** until drained into the main sewer line. **After the second horizontal run, the system cannot pump vertically upwards again.**
- ✓ To prevent backflow, the discharge line has to be connected to the main drain line through the **top of the pipe using a wye fitting**.
- ⚠ When creating a 90 degree turn, install a **long sweeping elbow** or use **two 45-degree elbows back-to-back** to create a long radius and smooth turn. Do not use many elbows to keep the head loss at minimum.
- ⚠ When pumping directly downwards more than 9 feet, **an anti-siphon valve has to be installed at the highest point** to eliminate siphonage in the pipe.



- ✓ The system comes with a water supply hose which connects to the motor's solenoid valve and to the water supply valve. A **3/8" compression fitting (not provided) needs to be adapted** to the end of the hose to complete the connection.
- ⚠ A rubber hose and clamps are provided to connect the sink drain pipe to the motor. Note that the inlet connection on the motor comes closed from factory. This would **need to be cut/saw open if a sink is being used**.

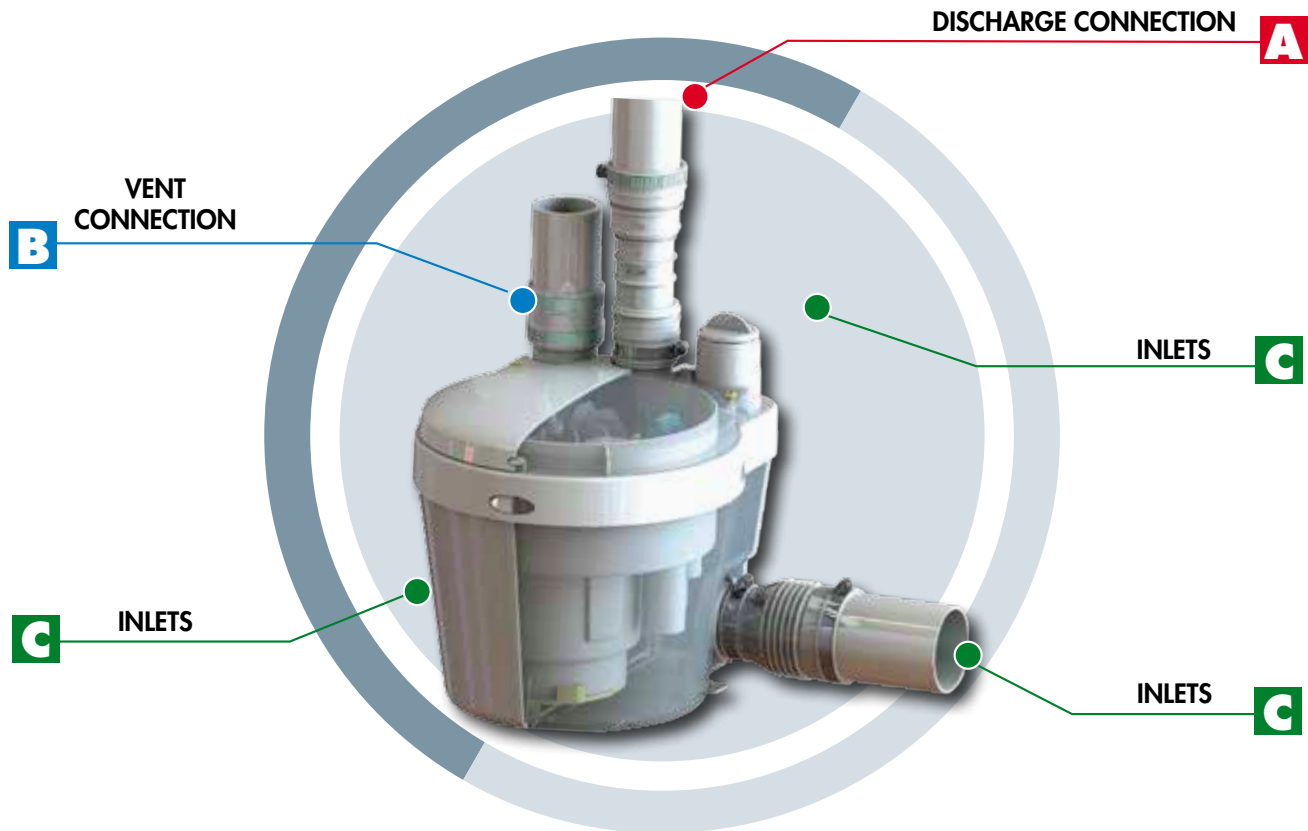


There is **no need to have an external vent on the Sanicompact, Sanicompact Comfort or Sanistar** as both have internal vents. Note that the operation, specifications and performance of these systems are very similar. The main difference between these models is the design of the bowl as the **Sanicompact is floor-mounted and the Sanicompact Comfort and Sanistar are wall-mounted (comes with wall carrier)**.

For technical questions, please call 800-571-8191 (US) / 800-363-5874 (CDN)

DRAIN PUMPS

INSTALLATION TIPS AND GUIDELINES



- ✓ Comes with a **plastic discharge fitting with built-in check valve, a rubber step-down fitting** to adapt to the discharge pipe and all clamps needed.
- ✓ First horizontal run **cannot exceed more than 24"** prior to the vertical run. It's also **not recommended to install diagonal runs.**
- ✓ It is recommended to install a **ball-valve along the discharge line for easy removal and service of the pump.**
- ✓ After the vertical run, the discharge pipe has to be sloped $\frac{1}{4}$ " per foot until drained into the main sewer line. After the second horizontal run, the system cannot **pump** vertically upwards again.
- ✓ To prevent backflow, the discharge line has to be connected to the main drain line **through the top of the pipe using a wye fitting.**
- ⚠ When creating a 90 degree turn, install a long sweeping elbow or use two 45-degree elbows back-to-back to create a long radius and smooth turn. Do not use many elbows to keep the head loss at minimum.



- ✓ The $\frac{1}{2}$ " **breather hole located on the lid needs to be capped** with the provided plug to prevent any odors. (not needed for Saniswift)
- ✓ There may be **different ways of venting the product.** Please check with Saniflo's technical support and/or local codes.
- ⚠ A **rubber coupling along with clamps is provided to connect the 1-1/2" vent pipe.** Vent needs to have **air flowing freely in both directions.** No type of one-way vents, mechanical vents, studor vents or similar devices are allowed. (For Sanishower, please see manual)



- ✓ **Rubber couplings and clamps are provided** along with inlet plugs in case the side inlets are not used. There should be a minimum $\frac{1}{4}$ " per foot gravity fall into the pump. Internal non-return valves are included on each side inlet.
- ⚠ The **shower/bathtub must be raised up minimum 6"** off the floor. It's recommended to install a p-trap underneath each connecting fixture. The shower base needs to be **raised up minimum 5"** if using a **Sanishower drain pump.**

For technical questions, please call 800-571-8191 (US) / 800-363-5874 (CDN)

REASONS WHY YOU SHOULDN'T CONSIDER BREAKING THE CONCRETE

RED FLAGS TO REMEMBER:

R Cutting concrete undermines structural integrity: Any time you cut into a slab, you decrease the foundational integrity of the building — no matter how close to a perfect cut you make. You may be able to patch the hole you create well enough to eliminate any aesthetic objections. But is that floor as solid as it was before you began to cut? I would bet not — especially if you fail to use the same or a better grade of concrete. And if the home sits on ground that's less than solid, such as sand, it may begin to settle differently after the cut.

In a multi-floor building, cutting into a slab on the second, third, fourth levels to run plumbing beneath the floor would be a huge no-no. That's why commercial renovation projects that require additional plumbing will typically use external soil stacks, putting the external plumbing tree on the outside of the building. Well, if you shouldn't cut into any of the upper levels of a building, why would you think you could safely cut into the first level — the slab on which everything else sits?

- Cutting concrete is unpredictable: Installers don't always know the depth of the concrete, whether it sits on rocks or a ledge, or whether it contains rebar or tension cables. You can cause major damage if you accidentally cut one of those cables. Professional contractors understand this hazard and never begin cutting without first using an x-ray machine to determine the positioning of the cables. But even then, the slab was most likely designed to use a certain number of cables with a certain amount of concrete. If you begin removing chunks of concrete, those tension wires may begin pulling in a different direction, creating integrity problems and causing delays and extra expense.
- Cutting concrete is seldom, if ever, perfect: I may try as hard as I can to cut a perfect circle, square or rectangle into a floor for burying a sewage ejector and its waste-storage basin — but no way. That "perfect" shape will inevitably crack on the edges and fray outward in unintended



directions, often well beyond the hole I am digging. And once a stress crack is created, how far down does it extend into the footing or into the walls?

- Cutting concrete creates leaks and seepage: Once a stress crack is generated, radon and ground-water penetration is a major issue, with the latter bringing unwanted moisture and mold problems as well. You don't need a major flood to trigger these hazards. A higher-than-usual water table because of extended wet weather, such as in the spring, could be the culprit. Even if the cracks and seepage are not large enough to jeopardize the foundation,

enough wetness could infiltrate to ruin walls, floors and furnishings in a finished living area — including that beautiful new bathroom that necessitated digging through the concrete in the first place.

OTHER SERIOUS CONCERNS

Of course, there are other negatives you should carefully consider:

- Dust, dust and more dust: Breaking through concrete generates an extraordinary amount of noise and dust. Happily, the noise stops when the jackhammers and saws shut down, and the workers finish their backbreaking job of hauling concrete chunks off the premises. But the dust doesn't fade nearly so quickly. That's because it is not conventional household dust, but a thick particulate that inevitably gets into everything, including the central air system, which means it can be around for a long time if not properly handled. I have heard of homeowners finding pockets of concrete dust years after a project finished.

Obviously, this dust is not something you would want your family breathing for any length of time. (You might think the same for your own crews.) Anyone contemplating this type of work must seriously consider what sort of air-purification process is needed to remove all the dust from the premises.

- Cost factors: Last, but certainly not least, there's the problem we mentioned at the outset of this article, the one that often proves to be the biggest deal-breaker of all: cost. The actual expense of cutting concrete depends on the size and complexity of the job, as well as local labor availability and rates. In some parts of the nation, the per-foot rate may be a few hundred dollars; in others, \$1,000 or more.

Seeing these costs, some plumbers outsource the work and are content to make little or no markup on their sub's charges. Others, preferring to keep the job in house, absorb the time and cost of renting the cutting and hammering tools and lugging them on and off the job site; or, if they choose to buy, the cost of maintaining and replacing these tools, as well as depreciation. ●

Choose Saniflo's above-the-floor systems and protect your lifelong investment!

Want to turn an **unfinished room** into a finished bathroom or laundry room?

Plan your project using the tools provided on our website to choose the best system for your application.



Enjoy your new addition with the confidence of owning a great system from a reputable company with more than

60 years of experience!

???

You can find answers to frequently asked questions by visiting our website or by calling our **live toll free number** and speaking with a certified technician.



Find dealers and installers near your area by visiting our website at

www.saniflo.com
www.saniflo.ca



Download our application to find some of the most common questions and the manuals for each of our products.

Live technical support available to assist with any issues or provide information on warranty services.

Follow us on social media to find out more about Saniflo!



REGISTER AND EXTEND YOUR WARRANTY AN ADDITIONAL YEAR!

To extend your limited warranty, simply visit our website and complete the online registration form*



For any questions, please contact us at
800-571-8191 (US)
800-363-5874 (CDN).

TERMS AND CONDITIONS FOR EXTENDED WARRANTY

Product must have been purchased on or after January 1st, 2016 (Proof of purchase is required). The product must be registered online by filling out the registration form. *A valid copy of the sales receipt will need to be uploaded. To take advantage of this offer, the warranty must be properly submitted within the first year from date of purchase. The 2 Year Limited Warranty applies for all products not registered within the first year from date of purchase.

STOP BREAKING CONCRETE

INSTALL A BATHROOM ANYWHERE



Before



After



Before



After

USA – Toll Free:
800-571-8191
www.saniflo.com

Saniflo  SFA GROUP

Canada – Toll Free:
800-363-5874
www.saniflo.ca

